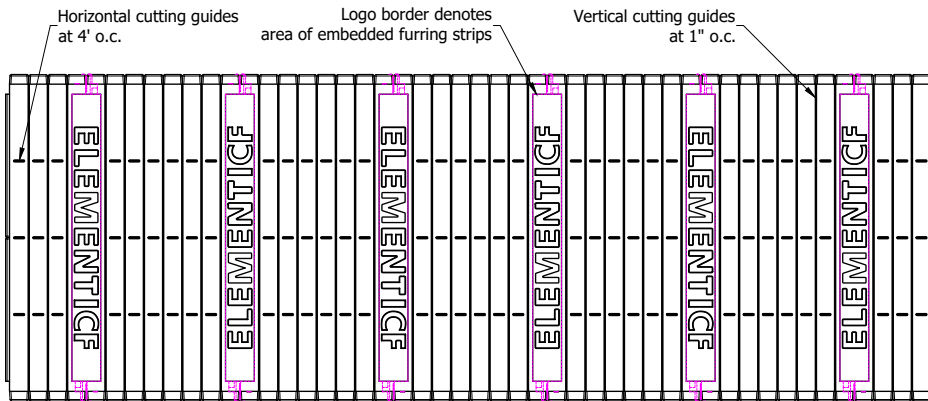
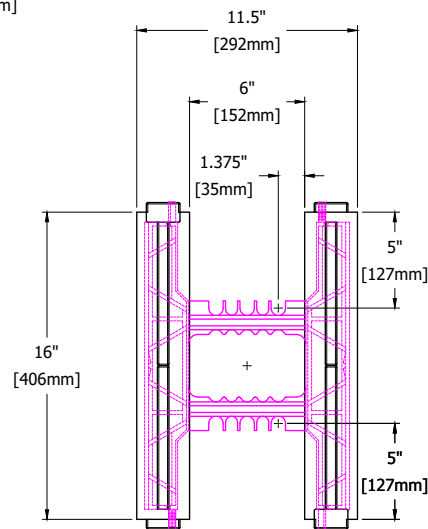


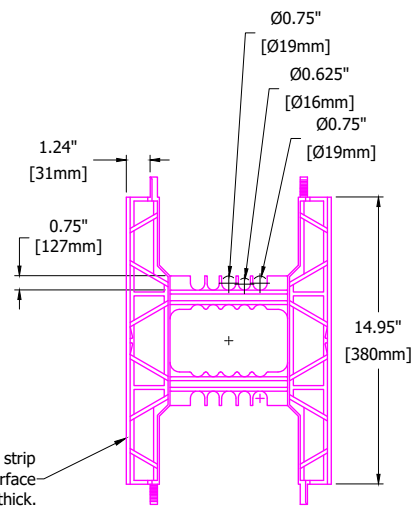
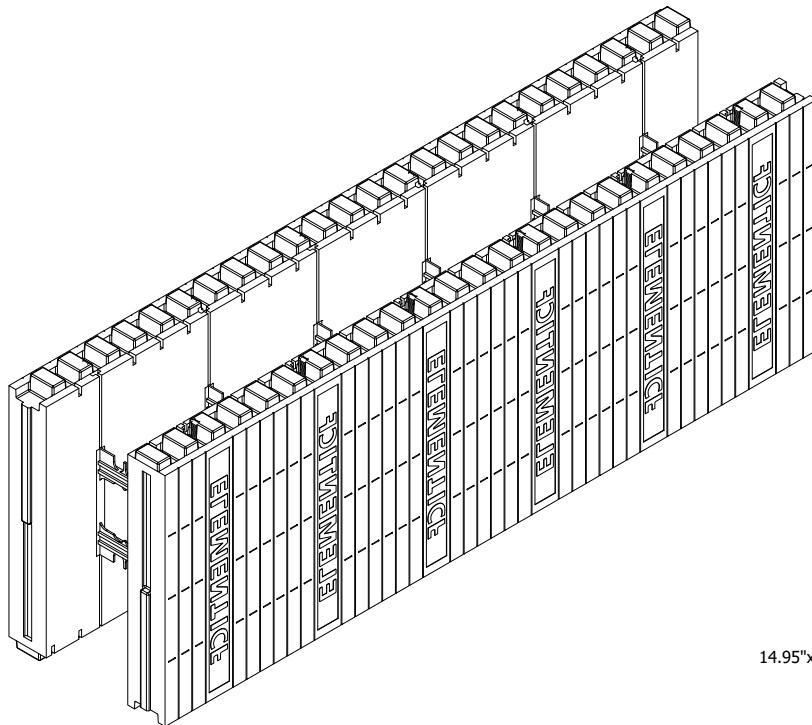
**PLAN VIEW**



**SIDE ELEVATION**



**END VIEW**



**WEB TIE COMPONENTS**

**STANDARD BLOCK SPECS**

Conc. Vol. (y3)	0.099
Conc. Vol. (ft3)	2.67
Conc. Vol. (m3)	0.076
Wall Area (sf)	5.333
R-value*	22.7
RSI*	4.00

\*EPS form panels only



ElementICF.com A Product By Logix Brands Ltd. 1-866-944-0153

©Copyright Logix Brands Ltd. (Year of Publishing) All rights reserved. No part of the work contained herein as covered by this copyright may be reproduced or used in any form, or any means - graphic, electronic or mechanical, including without limitation photocopying.

By using these drawings, you agree to assume all risks associated therewith. See [Logixbrands.com/Disclaimer-Drawings](http://Logixbrands.com/Disclaimer-Drawings) for a full copy of disclaimer.

Drawing:  
**5.1.2.1**

Title:

**PREFORMED STANDARD BLOCK (6 INCH)**

Date:  
**Nov 17/23**

Pg:  
**1/1**