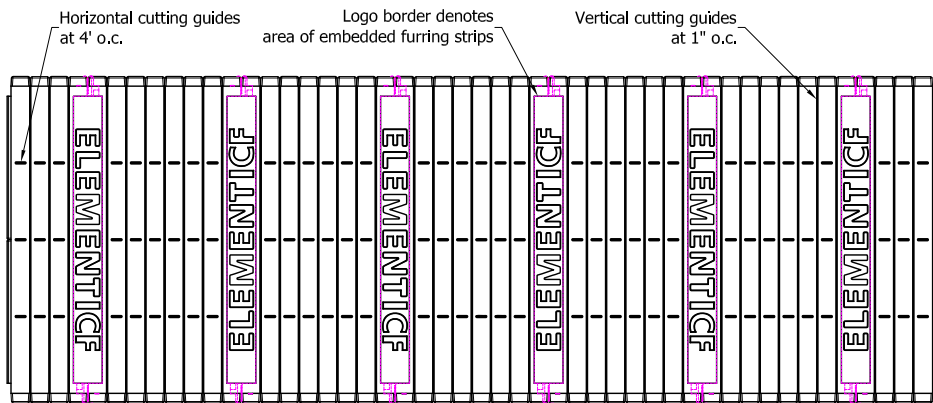
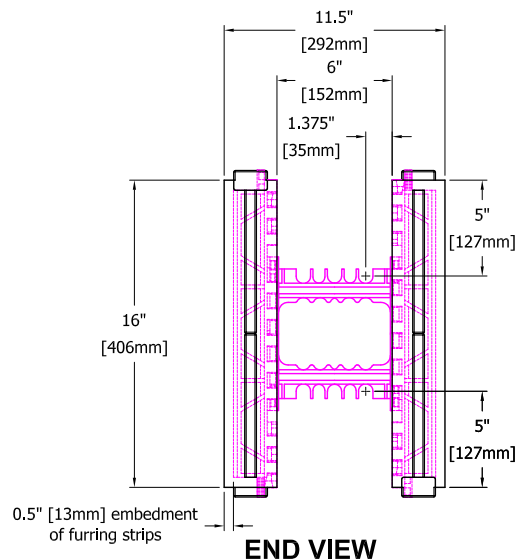


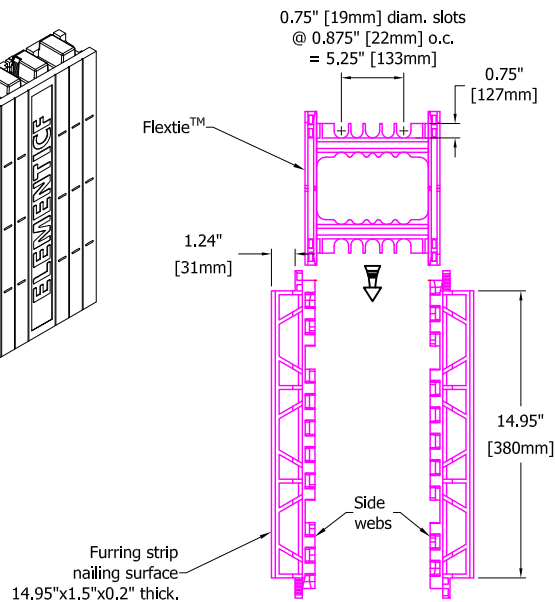
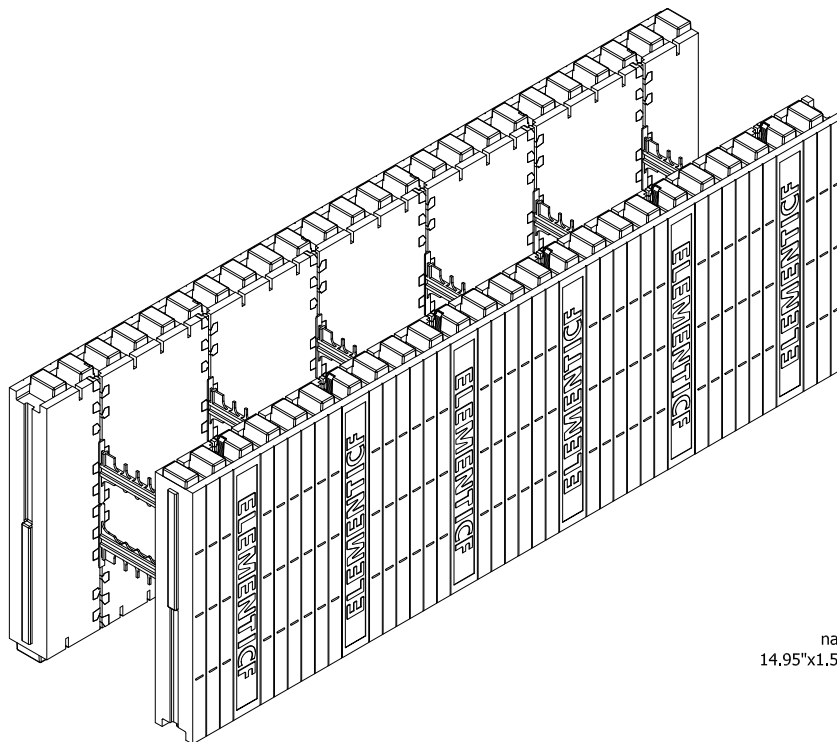
PLAN VIEW



SIDE ELEVATION



END VIEW



WEB TIE COMPONENTS

STANDARD BLOCK SPECS

Conc. Vol. (y3)	0.099
Conc. Vol. (ft3)	2.67
Conc. Vol. (m3)	0.076
Wall Area (sf)	5.333
R-value*	22.7
RSI*	4.00

*EPS form panels only



The drawing represented herein is to be used as a reference guide only; the user shall check to ensure the drawing meets local building codes and construction practices by consulting local building officials and professionals, including any additional requirements. Logix Brands reserves the right to make changes to the drawing without notice and assumes no liability in connection with the use of the drawing including modification, copying or distribution.

Drawing:
5.1.1

Title:
SITE-ASSEMBLED STANDARD BLOCK (6 INCH)

Date:
Dec 13/22

Pg:
1/1