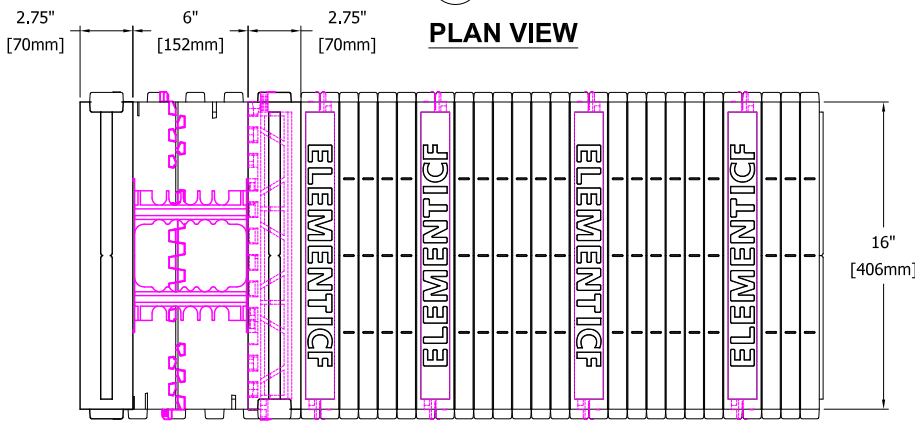
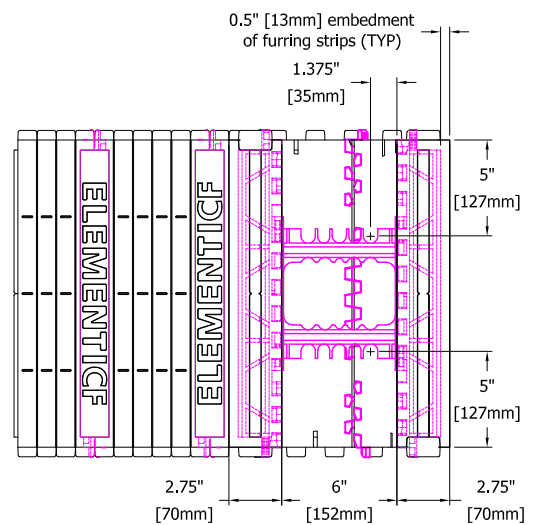


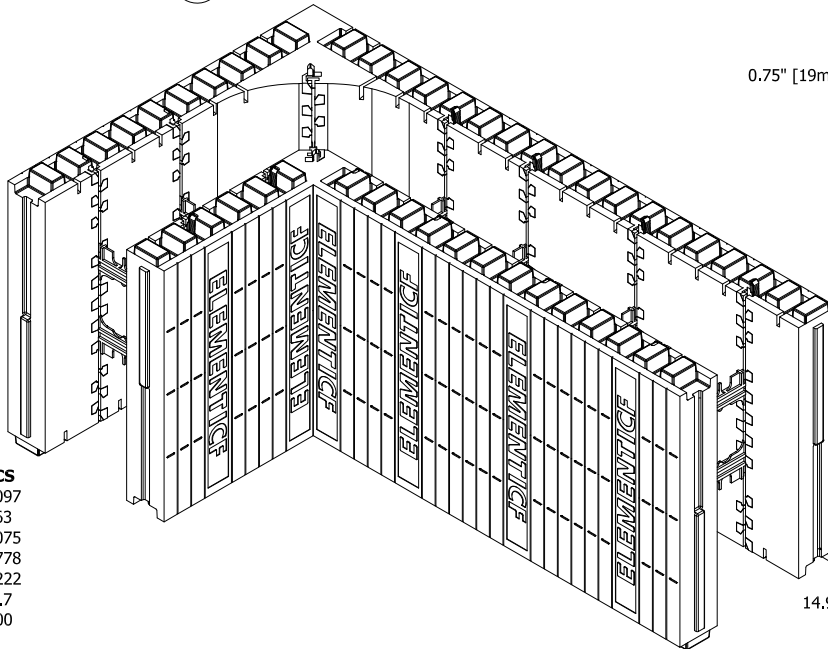
**PLAN VIEW**



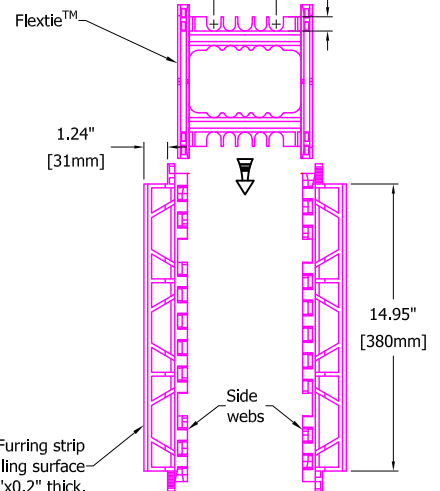
**B SIDE ELEVATION**



**A END VIEW**



0.75" [19mm] diam. slots @ 0.875" [22mm] o.c. = 5.25" [133mm]



**WEB TIE COMPONENTS**

**90 DEGREE CORNER SPECS**

Conc. Vol. (y3)	0.097
Conc. Vol. (ft3)	2.63
Conc. Vol. (m3)	0.075
Wall Area o/s corner (sf)	6.778
Wall Area i/s corner (sf)	4.222
R-value*	22.7
RSI*	4.00

\*EPS form panels only



ElementICF.com A Product By Logix Brands Ltd. 1-866-944-0153

The drawing represented herein is to be used as a reference guide only; the user shall check to ensure the drawing meets local building codes and construction practices by consulting local building officials and professionals, including any additional requirements. Logix Brands reserves the right to make changes to the drawing without notice and assumes no liability in connection with the use of the drawing including modification, copying or distribution.

Drawing:  
**5.1.4**

Date:  
**Dec 13/22**

Pg:  
**1/1**

Title:

**SITE-ASSEMBLED 90 DEGREE CORNER BLOCK (6 INCH)**