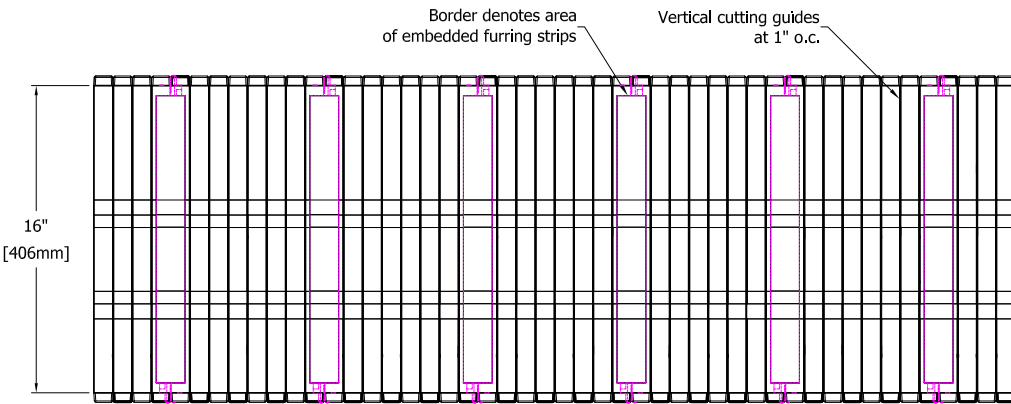
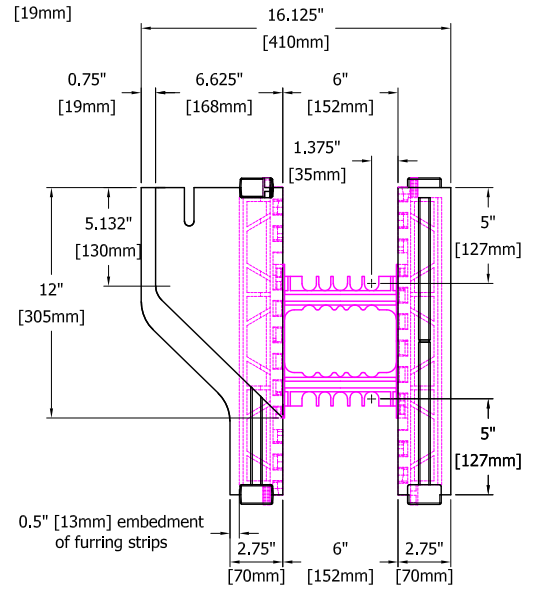


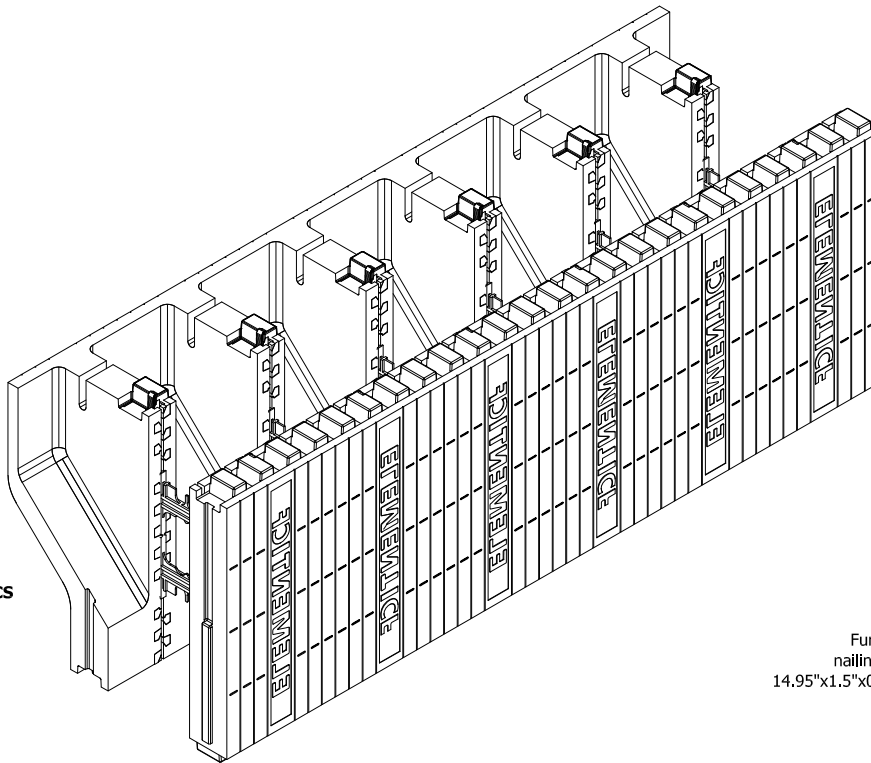
**PLAN VIEW**



**SIDE ELEVATION**



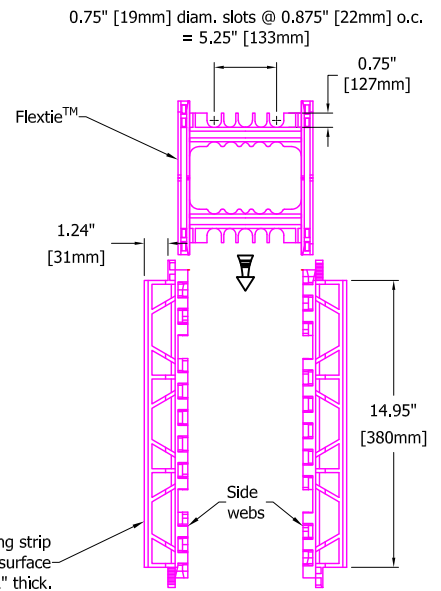
**END VIEW**



**BRICK LEDGE BLOCK SPECS**

Conc. Vol. (y3)	0.144
Conc. Vol. (ft3)	3.88
Conc. Vol. (m3)	0.110
Wall Area (sf)	5.333
R-value*	21.8
RSI*	3.83

\*EPS form panels only



**WEB TIE COMPONENTS**



The drawing represented herein is to be used as a reference guide only; the user shall check to ensure the drawing meets local building codes and construction practices by consulting local building officials and professionals, including any additional requirements. Logix Brands reserves the right to make changes to the drawing without notice and assumes no liability in connection with the use of the drawing including modification, copying or distribution.

Drawing:  
**5.1.3**

Date:  
**Dec 13/22**

Pg:  
**1/1**

Title:  
**SITE-ASSEMBLED BRICK LEDGE BLOCK (6 INCH)**