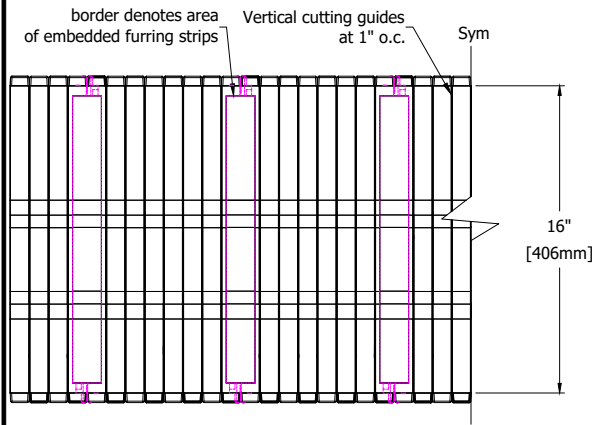
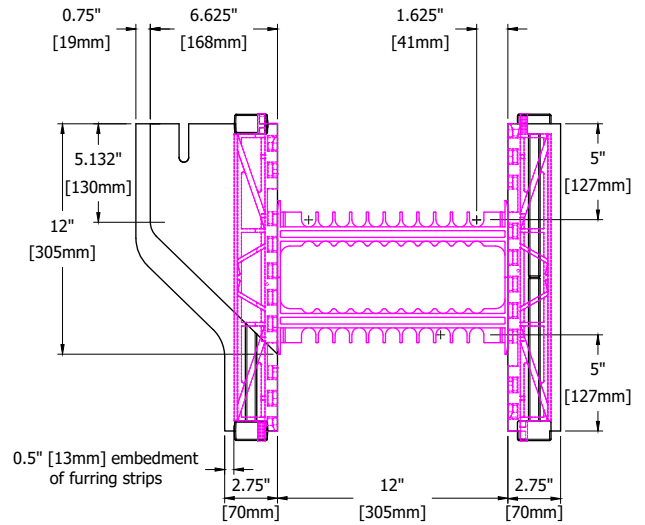


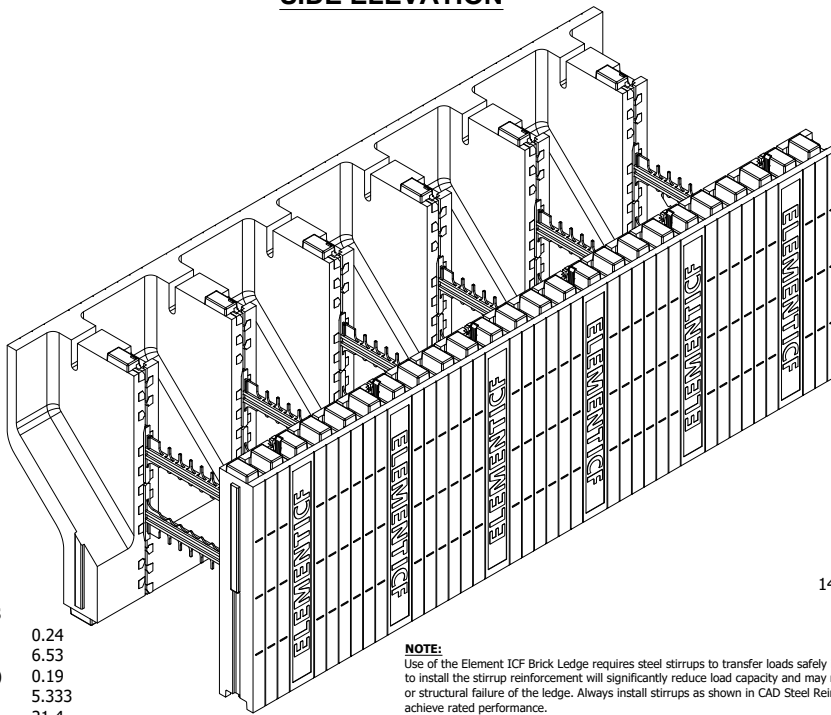
**PLAN VIEW**



**SIDE ELEVATION**



**END VIEW**



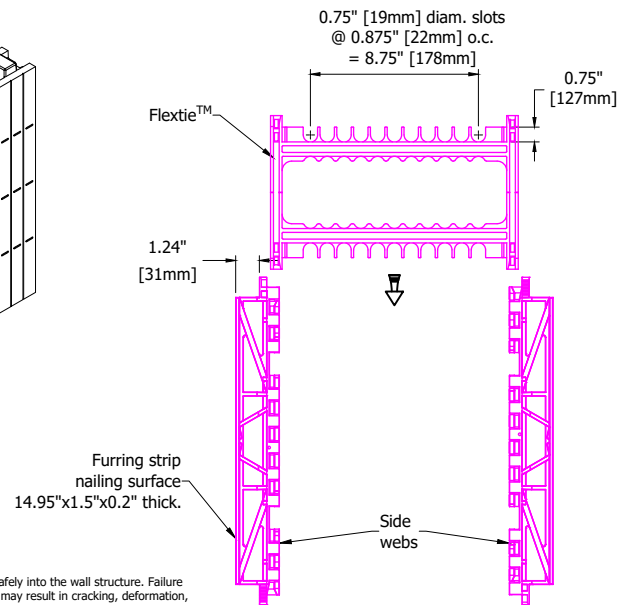
**BRICK LEDGE BLOCK SPECS**

Conc. Vol. (y3)	0.24
Conc. Vol. (ft3)	6.53
Conc. Vol. (m3)	0.19
Wall Area (sf)	5.333
R-value*	21.4
RSI*	3.77

**NOTE:**

Use of the Element ICF Brick Ledge requires steel stirrups to transfer loads safely into the wall structure. Failure to install the stirrup reinforcement will significantly reduce load capacity and may result in cracking, deformation, or structural failure of the ledge. Always install stirrups as shown in CAD Steel Reinforcing section to achieve rated performance.

Where a licensed professional engineer provides project-specific design details for the Element Brick Ledge, those details shall govern and supersede the requirements and warnings on this label. The builder remains responsible for implementing the engineer's design and providing all required support.



**WEB TIE COMPONENTS**

\*EPS form panels only



ElementICF.com A Product By Logix Brands Ltd. 1-866-944-0153

©Copyright Logix Brands Ltd. (Year of Publishing) All rights reserved. No part of the work contained herein as covered by this copyright may be reproduced or used in any form, or any means - graphic, electronic or mechanical, including without limitation photocopying.

By using these drawings, you agree to assume all risks associated therewith. See [Logixbrands.com/Disclaimer-Drawings](http://Logixbrands.com/Disclaimer-Drawings) for a full copy of disclaimer.

Drawing:  
**5.1.1.10 R2**

Date:  
**Jan 16/26**

Pg:  
**1/1**

Title:  
**SITE-ASSEMBLED BRICK LEDGE BLOCK (12 INCH)**