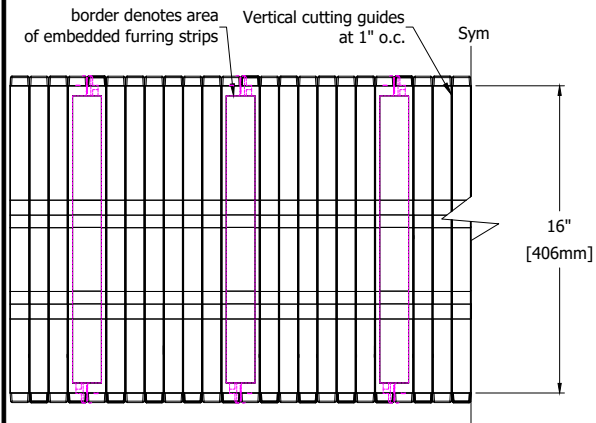
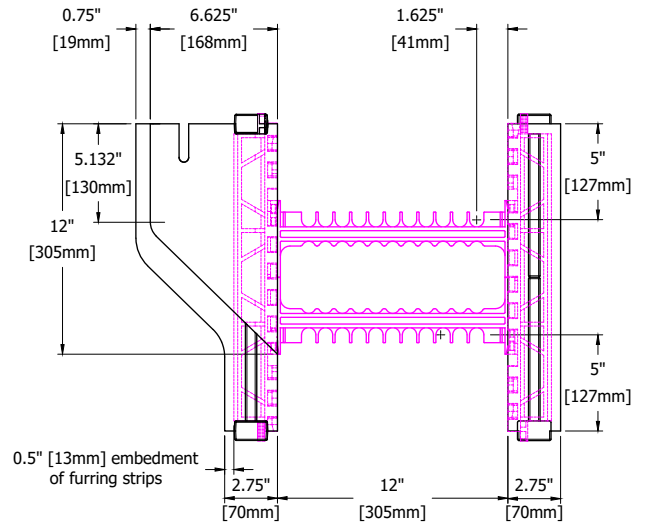


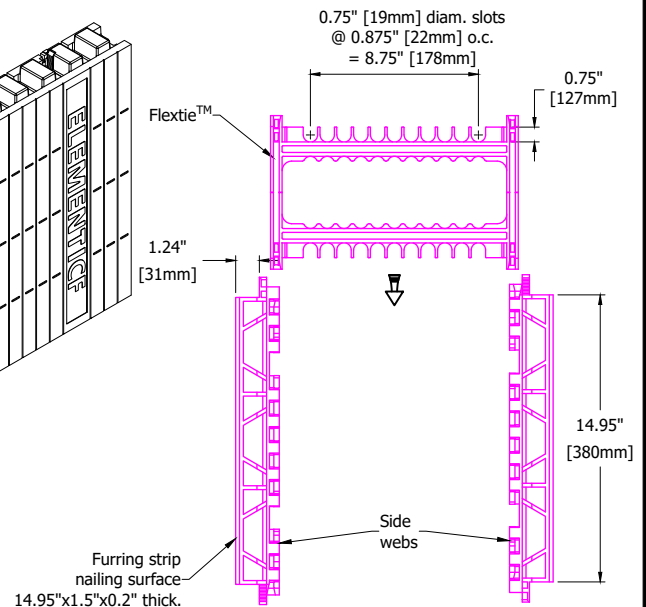
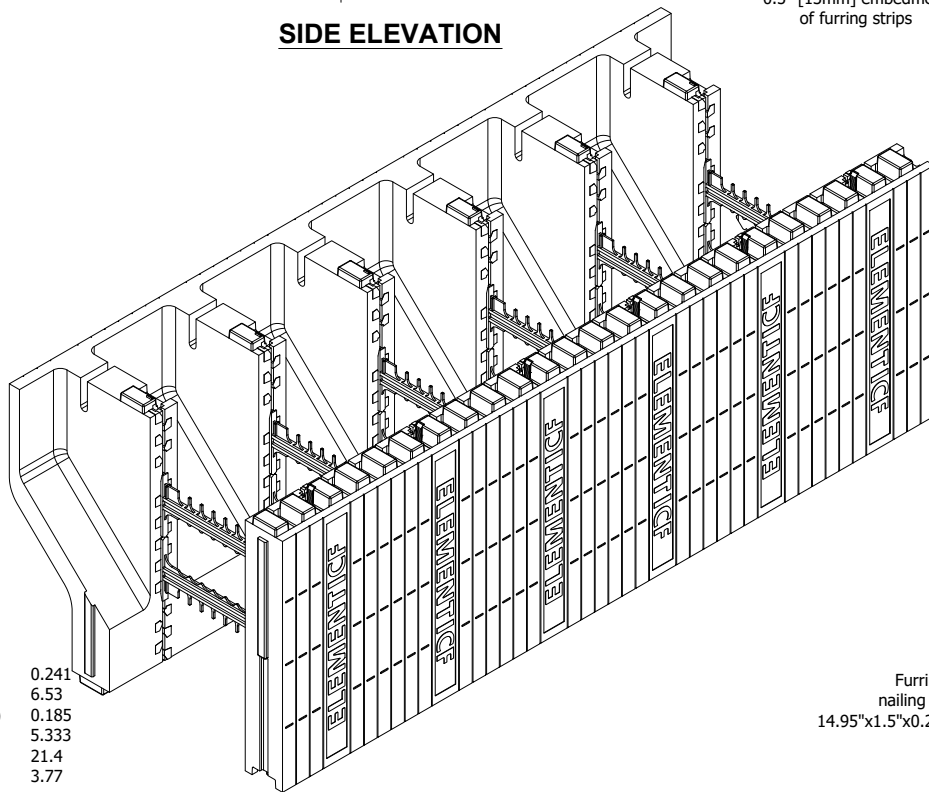
PLAN VIEW



SIDE ELEVATION



END VIEW



WEB TIE COMPONENTS

BRICK LEDGE BLOCK SPECS

Conc. Vol. (y3)	0.241
Conc. Vol. (ft3)	6.53
Conc. Vol. (m3)	0.185
Wall Area (sf)	5.333
R-value*	21.4
RSI*	3.77

*EPS form panels only

©Copyright Logix Brands Ltd. (2024)
All rights reserved. No part of the work contained herein as covered by this copyright may be reproduced or used in any form, or any means - graphic, electronic or mechanical, including without limitation photocopying.

By using these drawings, you agree to assume all risks associated therewith. See Logixbrands.com/Disclaimer-Drawings

Drawing:
5.1.1.10

Date:
Dec 13/23

Pg:
1/1

Title:
SITE-ASSEMBLED BRICK LEDGE BLOCK (12 INCH)

