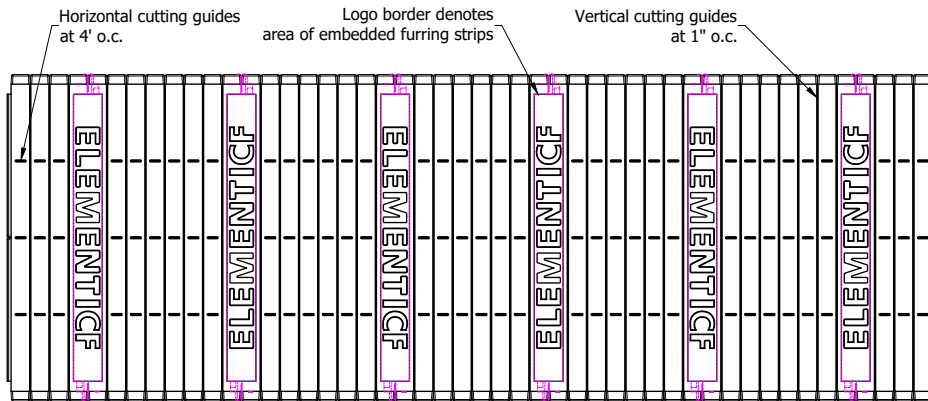
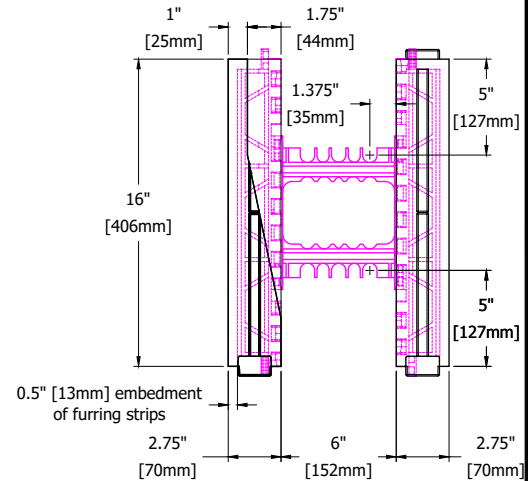


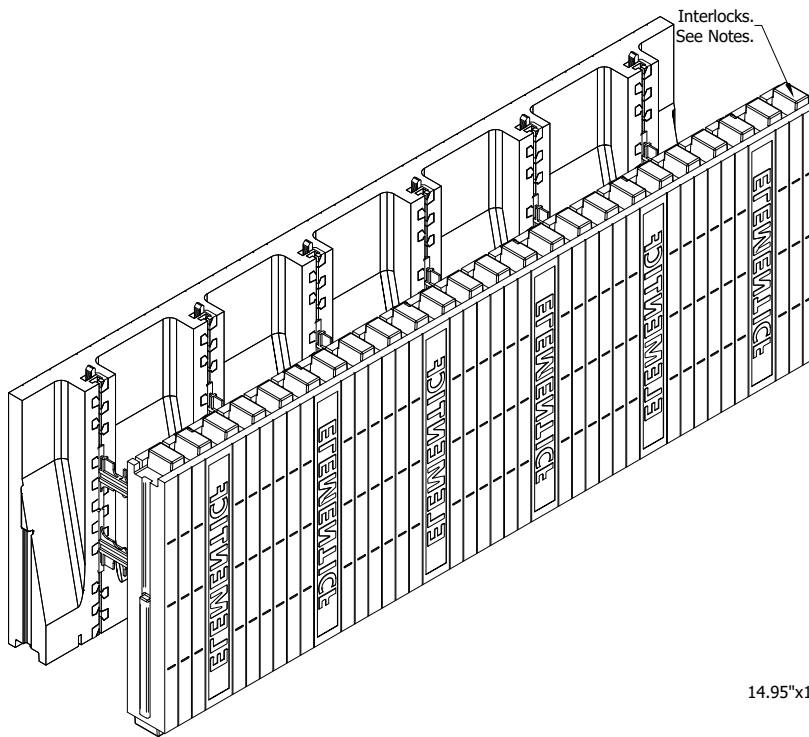
PLAN VIEW



SIDE ELEVATION



END VIEW



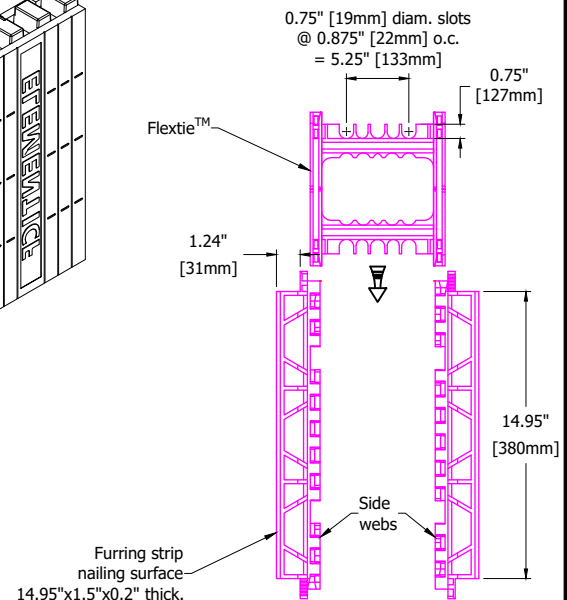
TAPER TOP BLOCK SPECS

Conc. Vol. (y3)	0.111
Conc. Vol. (ft3)	2.99
Conc. Vol. (m3)	0.085
Wall Area (sf)	5.333
R-value*	19.3
RST*	3.39

*EPS form panels only

NOTES:

1. Element Taper Top may be available with or without interlock along the top of the block. Confirm with your local Element ICF representative.



WEB TIE COMPONENTS

