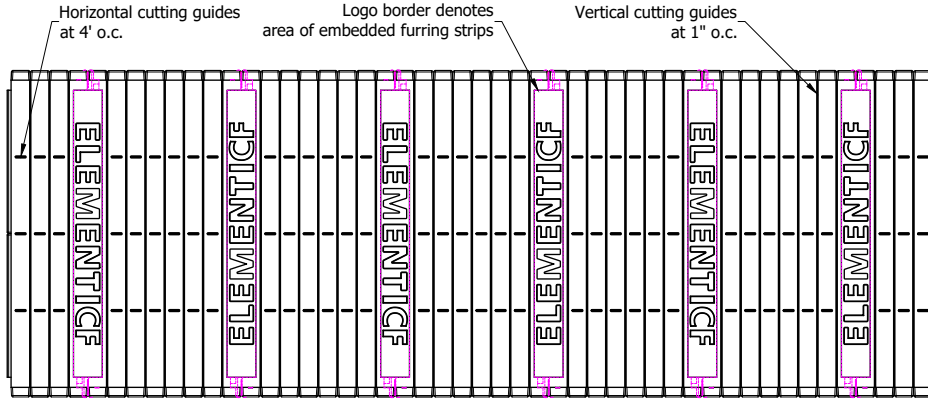
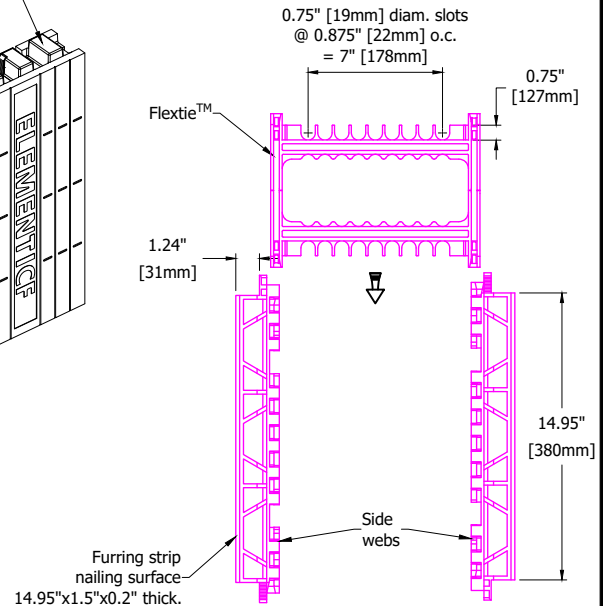
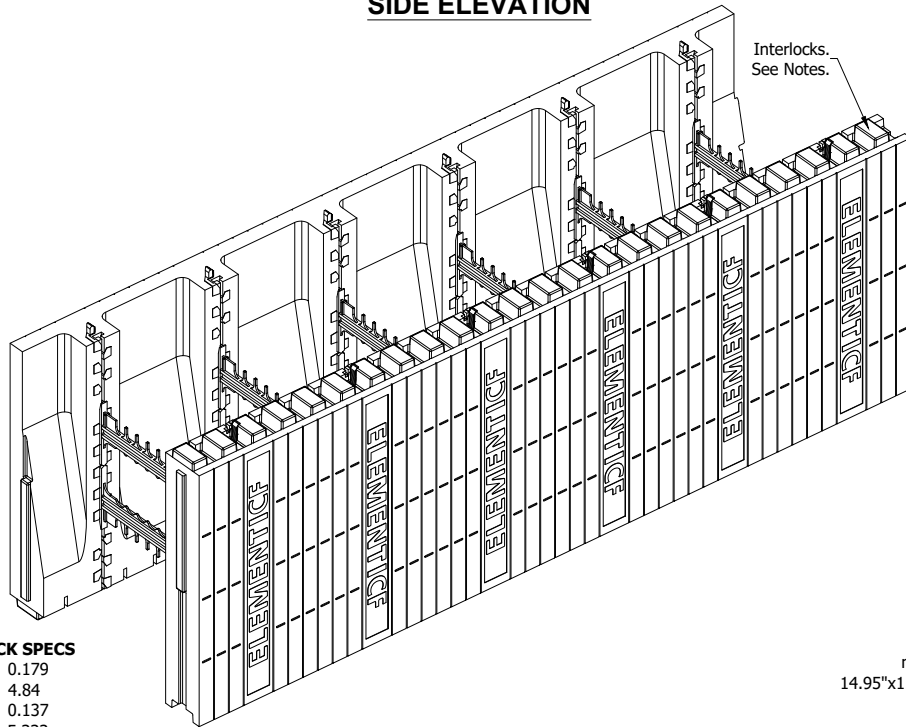
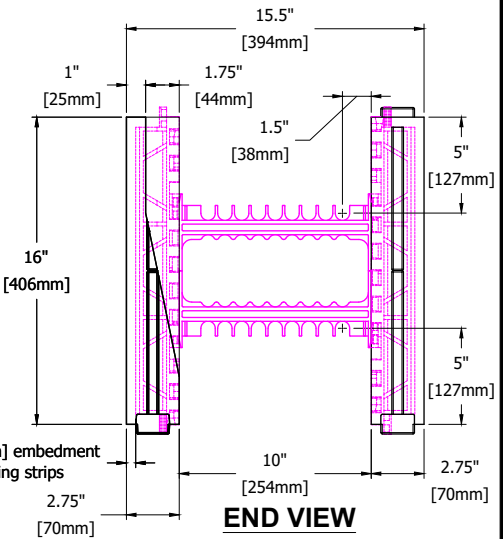


**PLAN VIEW**



**SIDE ELEVATION**



**STANDARD BLOCK SPECS**

Conc. Vol. (y3)	0.179
Conc. Vol. (ft3)	4.84
Conc. Vol. (m3)	0.137
Wall Area (sf)	5.333
R-value*	19
RST*	3.35
*EPS form panels only	

**NOTES:**

1. Element Taper Top may be available with or without interlock along the top of the block. Confirm with your local Element ICF representative.

