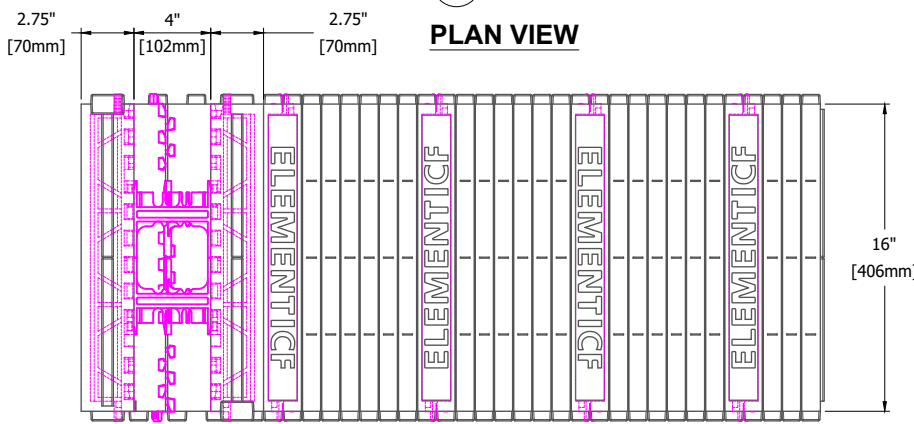
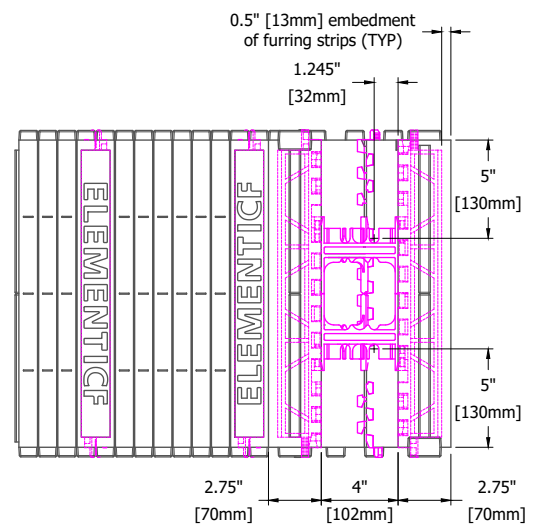


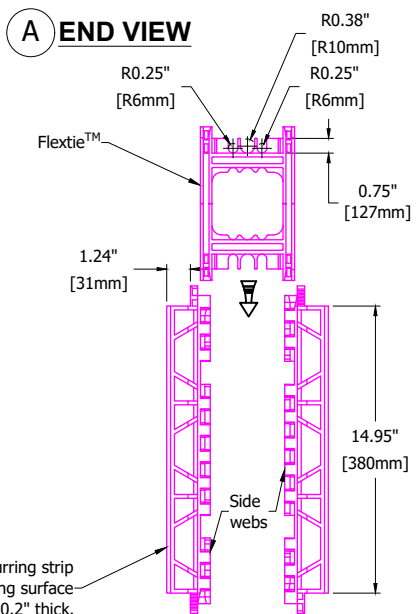
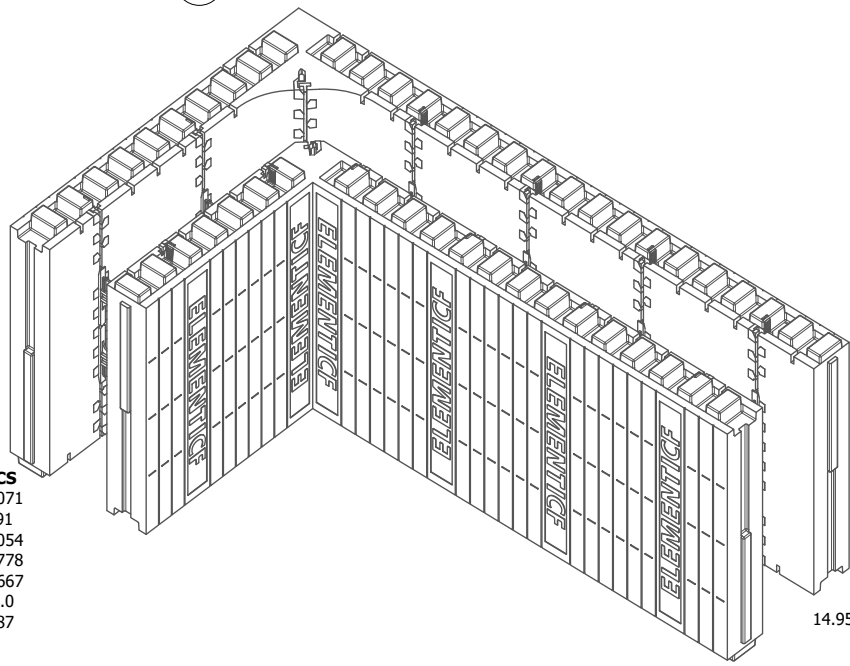
PLAN VIEW



B SIDE ELEVATION



A END VIEW



WEB TIE COMPONENTS

90 DEGREE CORNER SPECS

Conc. Vol. (y3)	0.071
Conc. Vol. (ft3)	1.91
Conc. Vol. (m3)	0.054
Wall Area o/s corner (sf)	6.778
Wall Area i/s corner (sf)	4.667
R-value*	22.0
RSI*	3.87

*EPS form panels only



ElementICF.com A Product By Logix Brands Ltd. 1-866-944-0153

©Copyright Logix Brands Ltd. (Year of Publishing) All rights reserved. No part of the work contained herein as covered by this copyright may be reproduced or used in any form, or any means - graphic, electronic or mechanical, including without limitation photocopying.

By using these drawings, you agree to assume all risks associated therewith. See [Logixbrands.com/Disclaimer-Drawings](https://logixbrands.com/Disclaimer-Drawings) for a full copy of disclaimer.

Drawing: 5.1.1.21

Date: Dec 13/22

Pg: 1/1

Title: SITE-ASSEMBLED 90 DEGREE CORNER BLOCK (4 INCH)