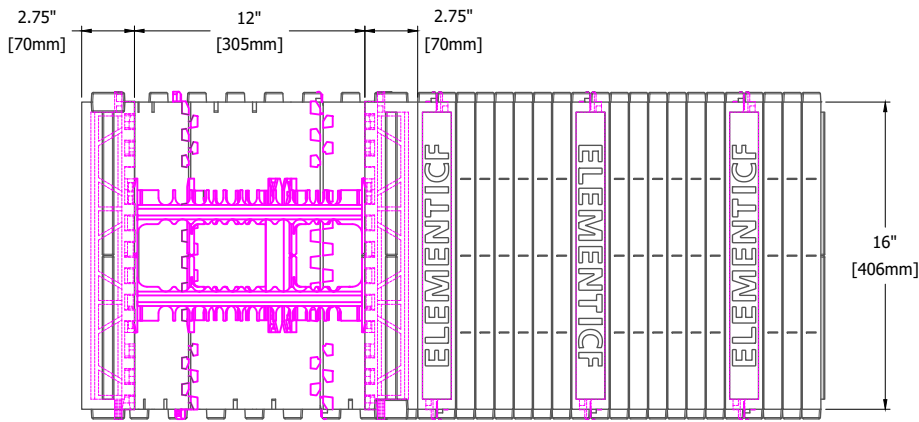
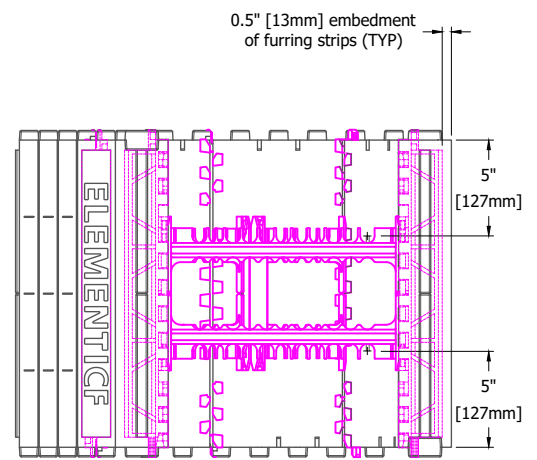


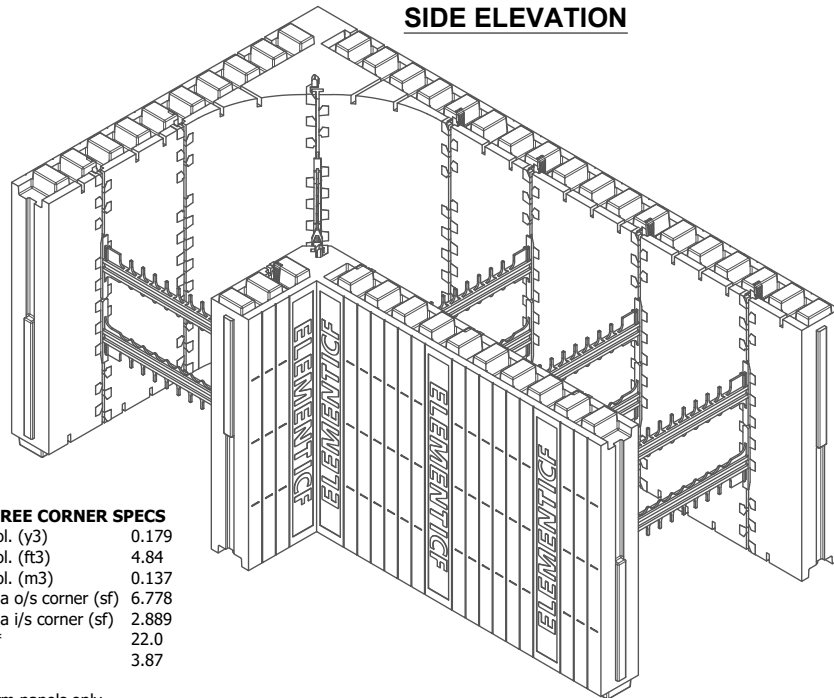
PLAN VIEW



SIDE ELEVATION



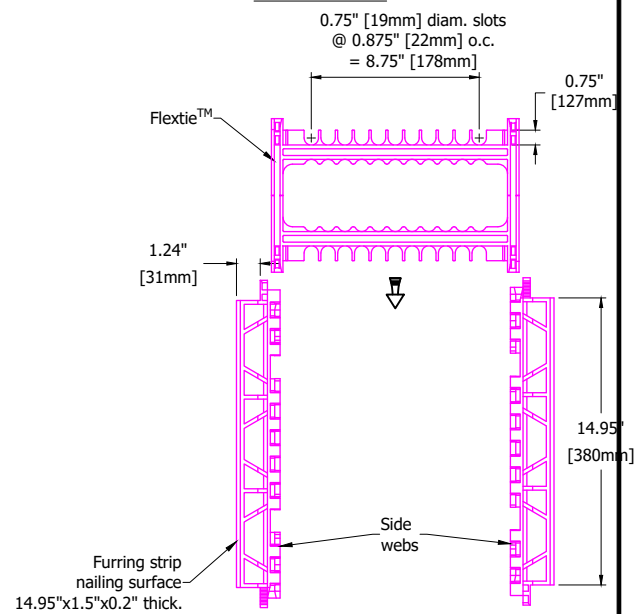
END VIEW



90 DEGREE CORNER SPECS

Conc. Vol. (y3)	0.179
Conc. Vol. (ft3)	4.84
Conc. Vol. (m3)	0.137
Wall Area o/s corner (sf)	6.778
Wall Area i/s corner (sf)	2.889
R-value*	22.0
RSI*	3.87

*EPS form panels only



WEB TIE COMPONENTS



ElementICF.com A Product By Logix Brands Ltd. 1-866-944-0153

©Copyright Logix Brands Ltd. (Year of Publishing) All rights reserved. No part of the work contained herein as covered by this copyright may be reproduced or used in any form, or any means - graphic, electronic or mechanical, including without limitation photocopying.

By using these drawings, you agree to assume all risks associated therewith. See Logixbrands.com/Disclaimer-Drawings for a full copy of disclaimer.

Drawing:
5.1.1.25

Date:
Dec 13/22

Pg:
1/1

Title:
SITE-ASSEMBLED 90 DEGREE CORNER BLOCK (12 INCH)