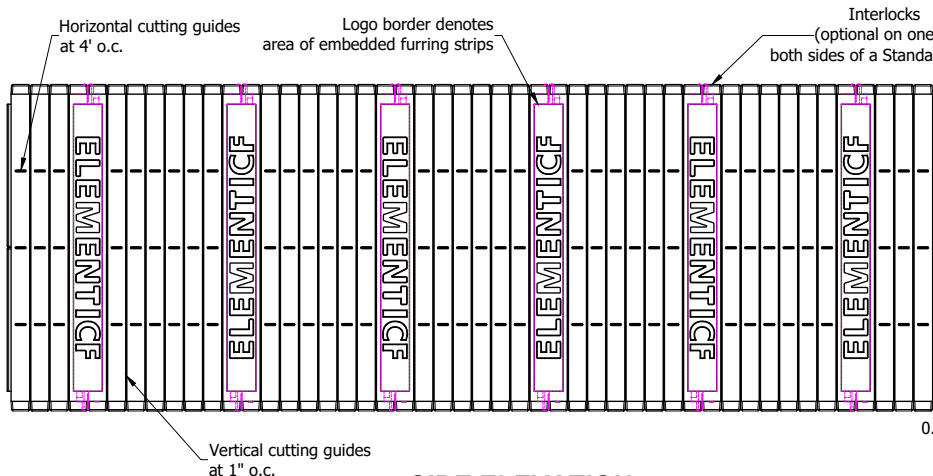
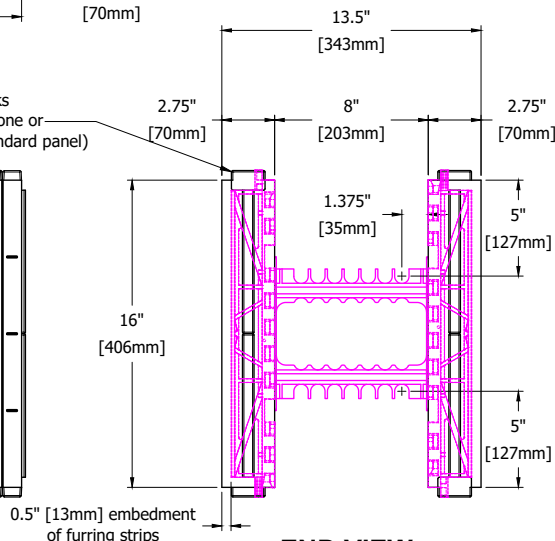


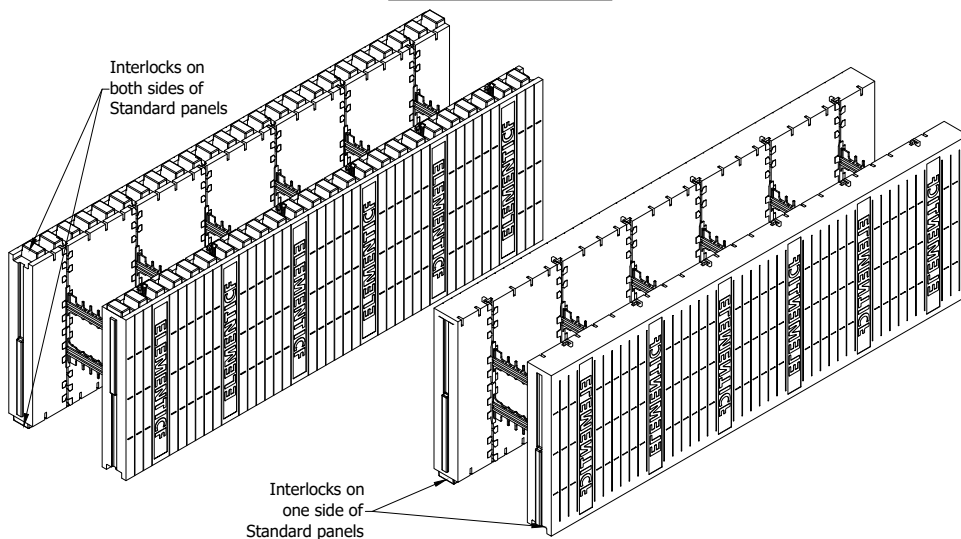
**PLAN VIEW**



**SIDE ELEVATION**

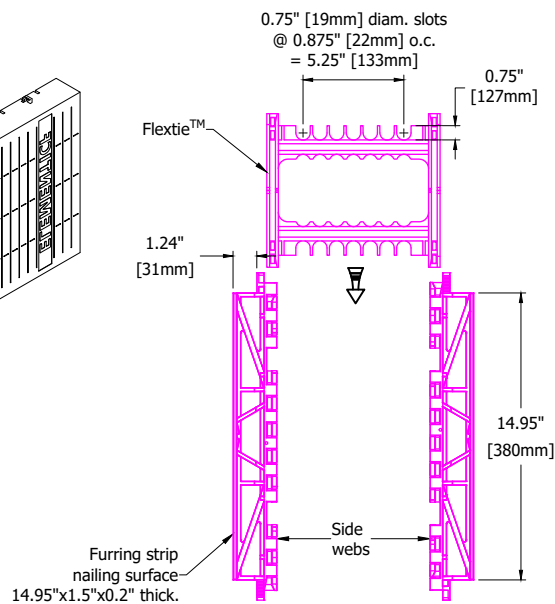


**END VIEW**



**REVERSIBLE STANDARD**

**FLAT TOP STANDARD**



**WEB TIE COMPONENTS**

**STANDARD BLOCK SPECS**

Conc. Vol. (y3)	0.13
Conc. Vol. (ft3)	3.56
Conc. Vol. (m3)	0.10
Wall Area (sf)	5.333
R-value*	22.7
RSI*	4.00

\*EPS form panels only

**NOTES:**

1. Check availability of Flat Top Standard blocks with your local Element® ICF representative.



©Copyright Logix Brands Ltd. (Year of Publishing) All rights reserved. No part of the work contained herein as covered by this copyright may be reproduced or used in any form, or any means - graphic, electronic or mechanical, including without limitation photocopying.

By using these drawings, you agree to assume all risks associated therewith. See [Logixbrands.com/Disclaimer-Drawings](http://Logixbrands.com/Disclaimer-Drawings) for a full copy of disclaimer.