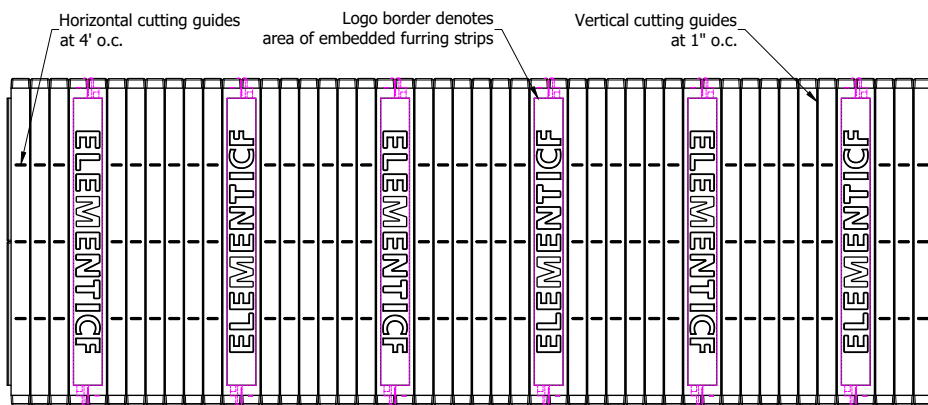
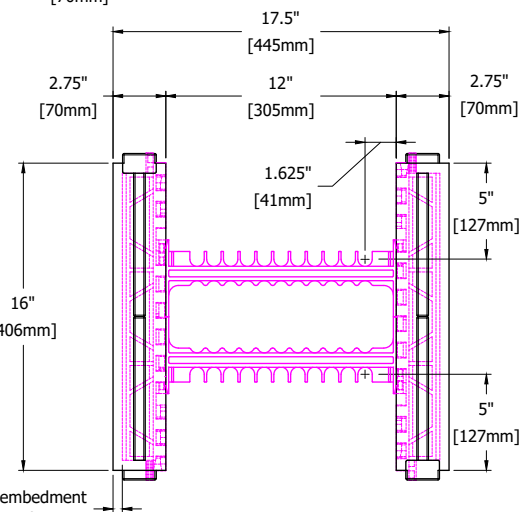


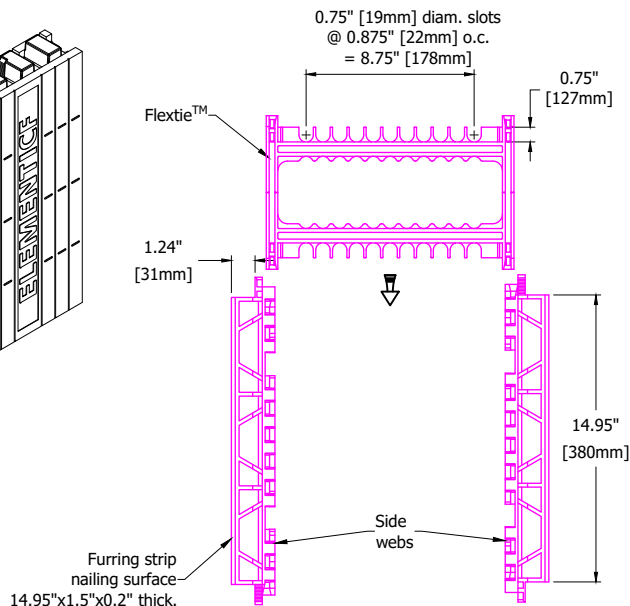
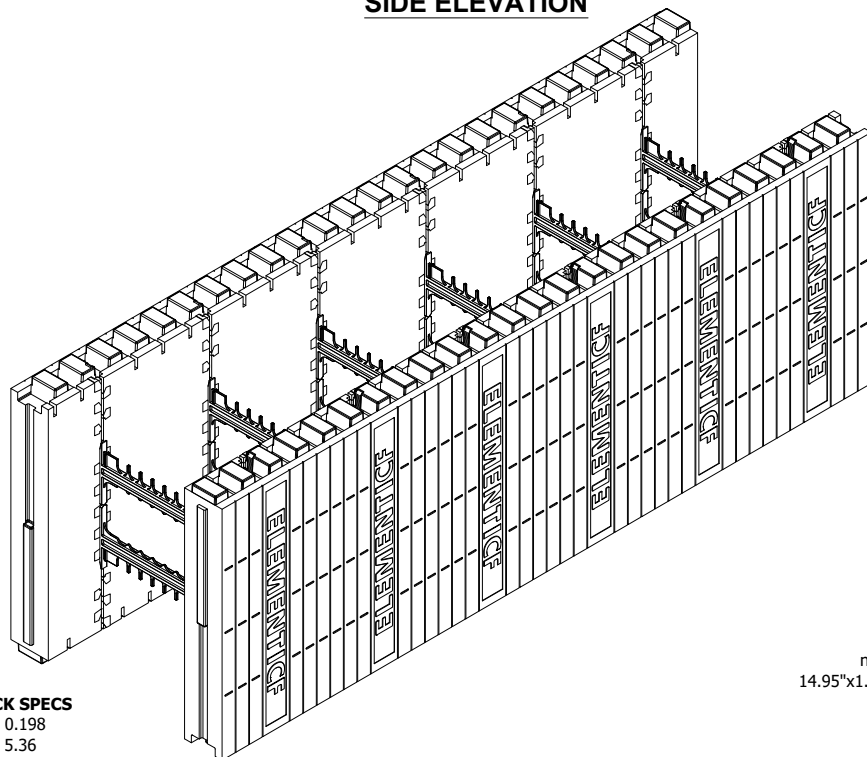
**PLAN VIEW**



**SIDE ELEVATION**



**END VIEW**



**WEB TIE COMPONENTS**

**STANDARD BLOCK SPECS**

Conc. Vol. (y3)	0.198
Conc. Vol. (ft3)	5.36
Conc. Vol. (m3)	0.152
Wall Area (sf)	5.333
R-value*	22.7
RSI*	4.00

\*EPS form panels only



ElementICF.com A Product By Logix Brands Ltd. 1-866-944-0153

©Copyright Logix Brands Ltd. (2024)  
All rights reserved. No part of the work contained herein as covered by this copyright may be reproduced or used in any form, or any means - graphic, electronic or mechanical, including without limitation photocopying.

By using these drawings, you agree to assume all risks associated therewith. See [Logixbrands.com/Disclaimer-Drawings](http://Logixbrands.com/Disclaimer-Drawings) for a full copy of disclaimer.

Drawing:  
**5.1.1.5**

Title:  
**SITE-ASSEMBLED STANDARD BLOCK (12 INCH)**

Date:  
**Dec 13/22**

Pg:  
**1/1**