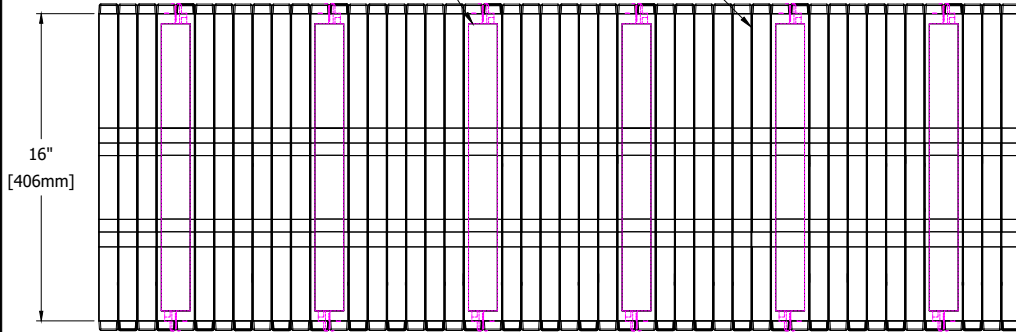
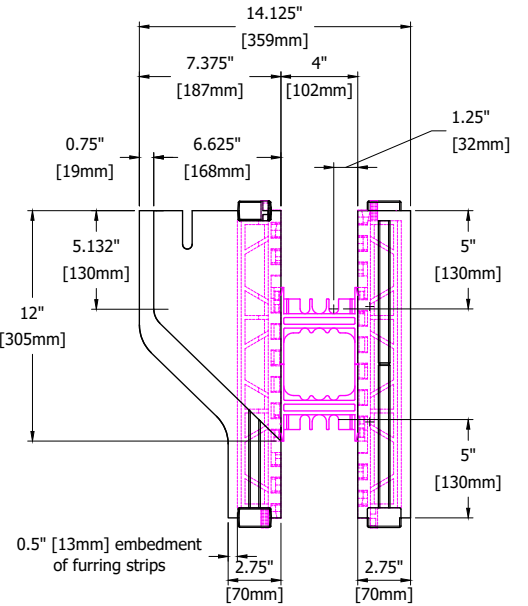


PLAN VIEW

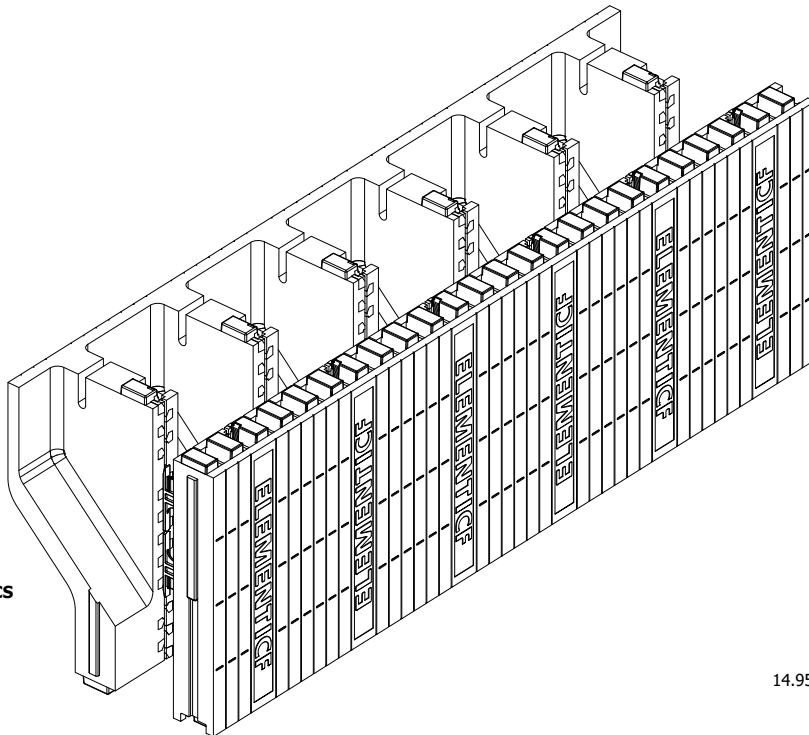
Border denotes area of embedded furring strips
Vertical cutting guides at 1" o.c.



SIDE ELEVATION



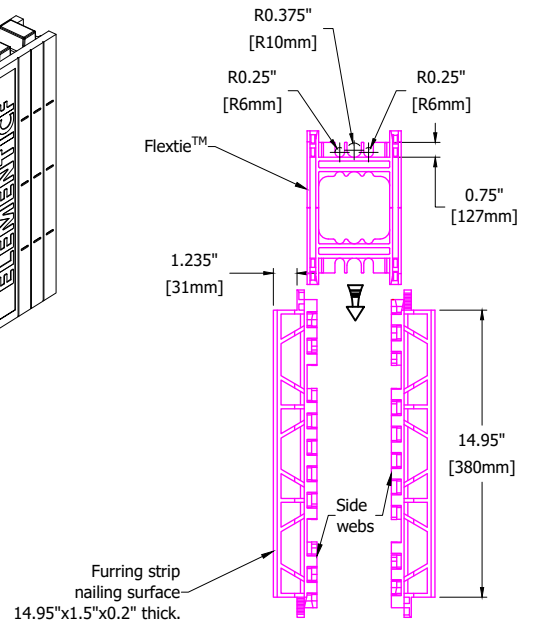
END VIEW



BRICK LEDGE BLOCK SPECS

Conc. Vol. (y3)	0.109
Conc. Vol. (ft3)	2.97
Conc. Vol. (m3)	0.084
Wall Area (sf)	5.333
R-value*	21.4
RSI*	3.77

*EPS form panels only



WEB TIE COMPONENTS

