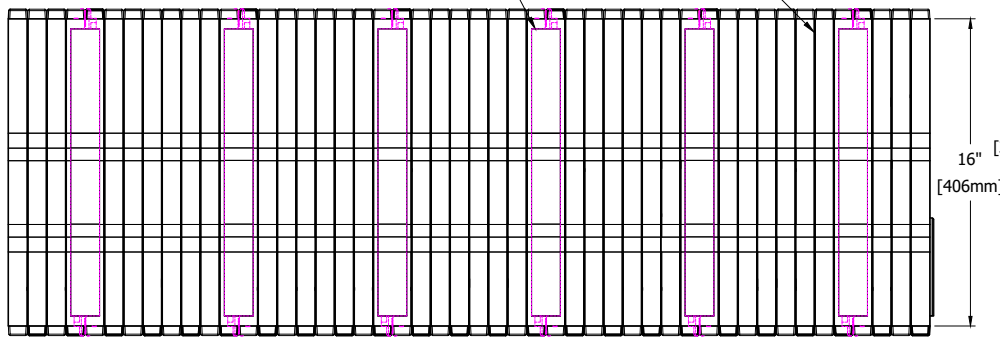
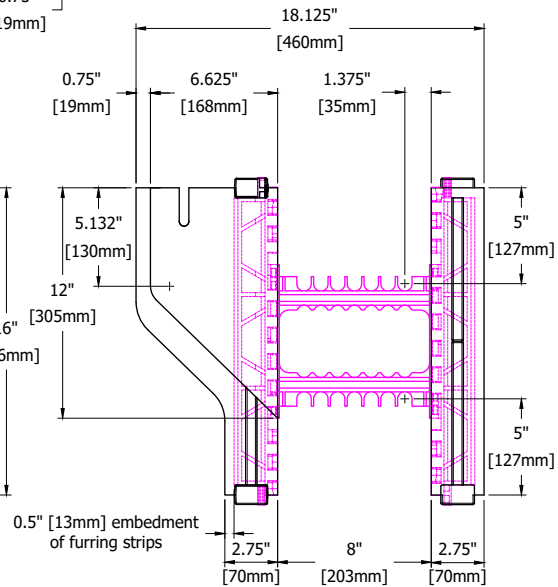


PLAN VIEW

border denotes area of embedded furring strips
Vertical cutting guides at 1" o.c.

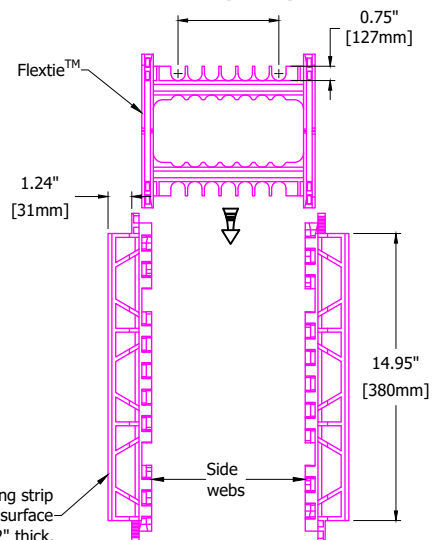


SIDE ELEVATION

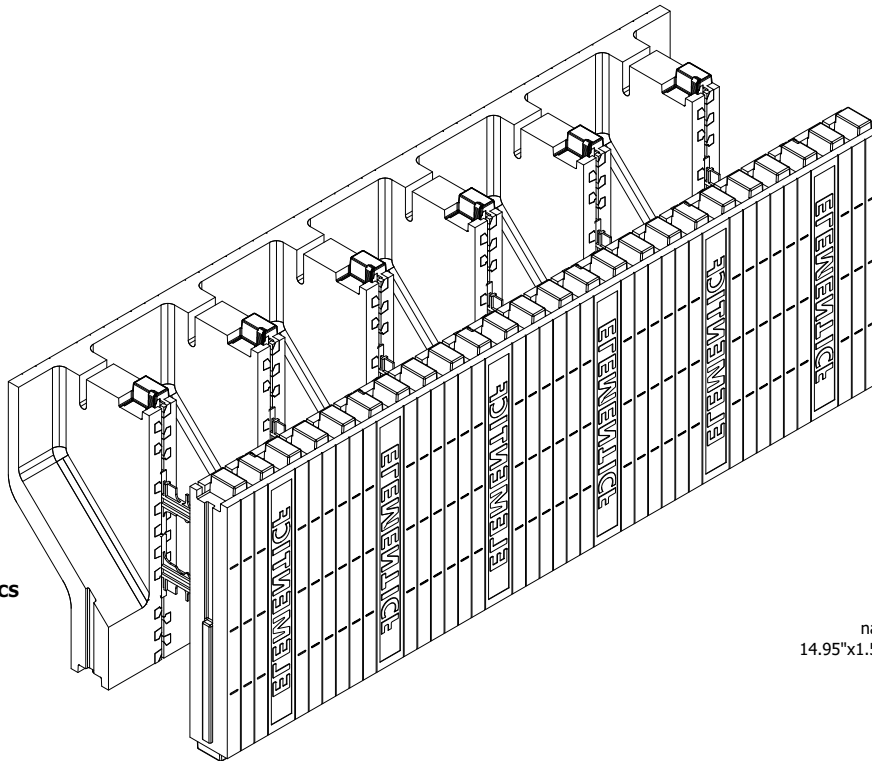


END VIEW

0.75" [19mm] diam. slots @ 0.875" [22mm] o.c. = 5.25" [133mm]



WEB TIE COMPONENTS



BRICK LEDGE BLOCK SPECS

| | |
|------------------|-------|
| Conc. Vol. (y3) | 0.175 |
| Conc. Vol. (ft3) | 4.73 |
| Conc. Vol. (m3) | 0.134 |
| Wall Area (sf) | 5.333 |
| R-value* | 21.4 |
| RSI* | 3.77 |

*EPS form panels only



©Copyright Logix Brands Ltd. (Year of Publishing) All rights reserved. No part of the work contained herein as covered by this copyright may be reproduced or used in any form, or any means - graphic, electronic or mechanical, including without limitation photocopying.

By using these drawings, you agree to assume all risks associated therewith. See [Logixbrands.com/Disclaimer-Drawings](https://logixbrands.com/Disclaimer-Drawings) for a full copy of disclaimer.

Drawing:
5.1.1.8

Title:
SITE-ASSEMBLED BRICK LEDGE BLOCK (8 INCH)

Date:
Dec 13/23

Pg:
1/1