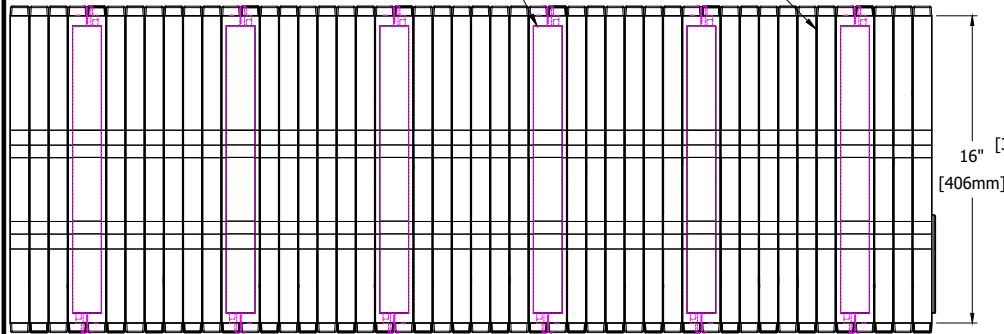
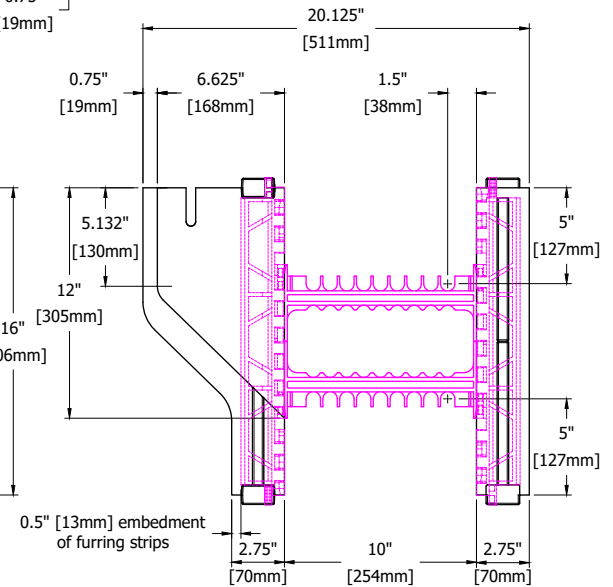


PLAN VIEW

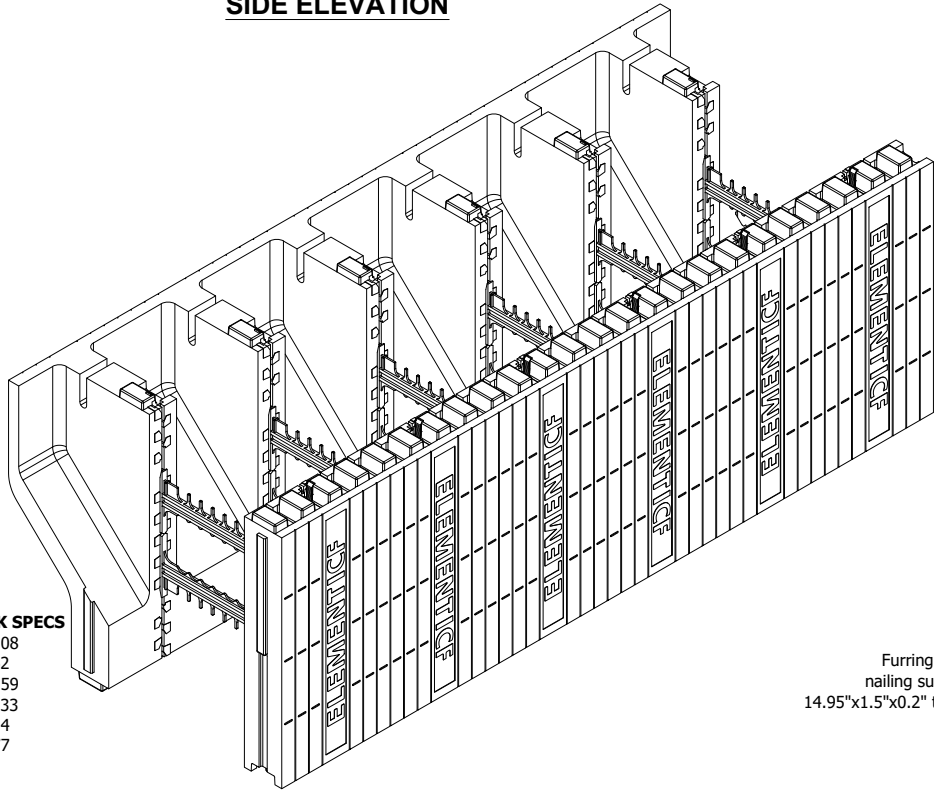
border denotes area of embedded furring strips
Vertical cutting guides at 1" o.c.



SIDE ELEVATION



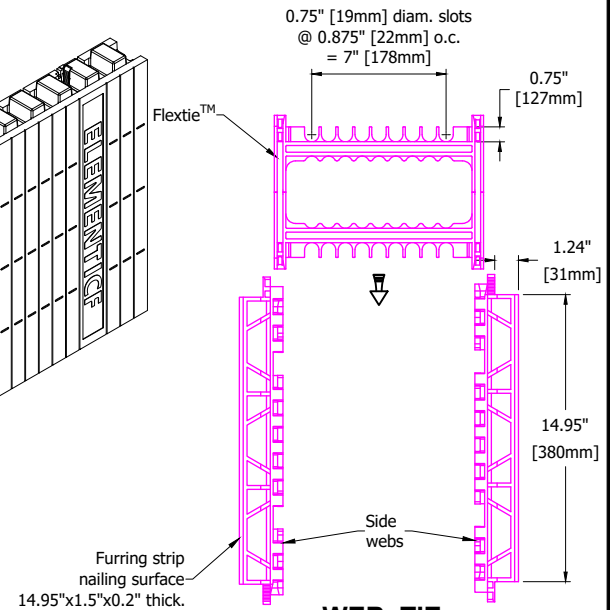
END VIEW



BRICK LEDGE BLOCK SPECS

Conc. Vol. (y3)	0.208
Conc. Vol. (ft3)	5.62
Conc. Vol. (m3)	0.159
Wall Area (sf)	5.333
R-value*	21.4
RSI*	3.77

*EPS form panels only



WEB TIE COMPONENTS



©Copyright Logix Brands Ltd. (2024)
All rights reserved. No part of the work contained herein as covered by this copyright may be reproduced or used in any form, or any means - graphic, electronic or mechanical, including without limitation photocopying.

By using these drawings, you agree to assume all risks associated therewith. See Logixbrands.com/Disclaimer-Drawings for a full copy of disclaimer.

Drawing:
5.1.1.9

Title:
SITE-ASSEMBLED BRICK LEDGE BLOCK (10 INCH)

Date:
Dec 13/23

Pg:
1/1