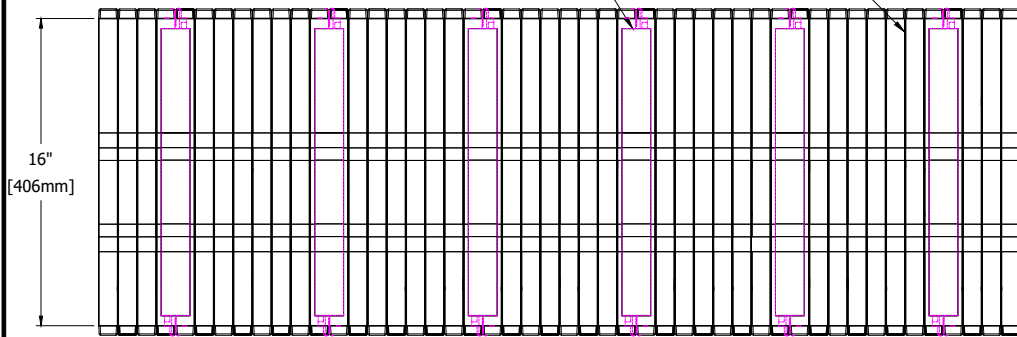


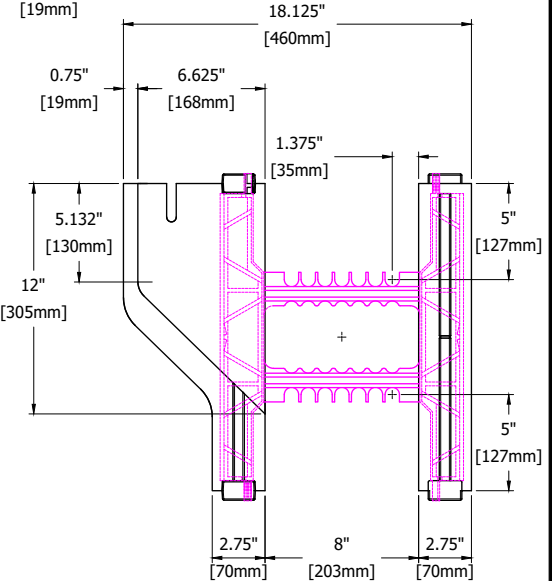
**PLAN VIEW**

Border denotes area of embedded furring strips

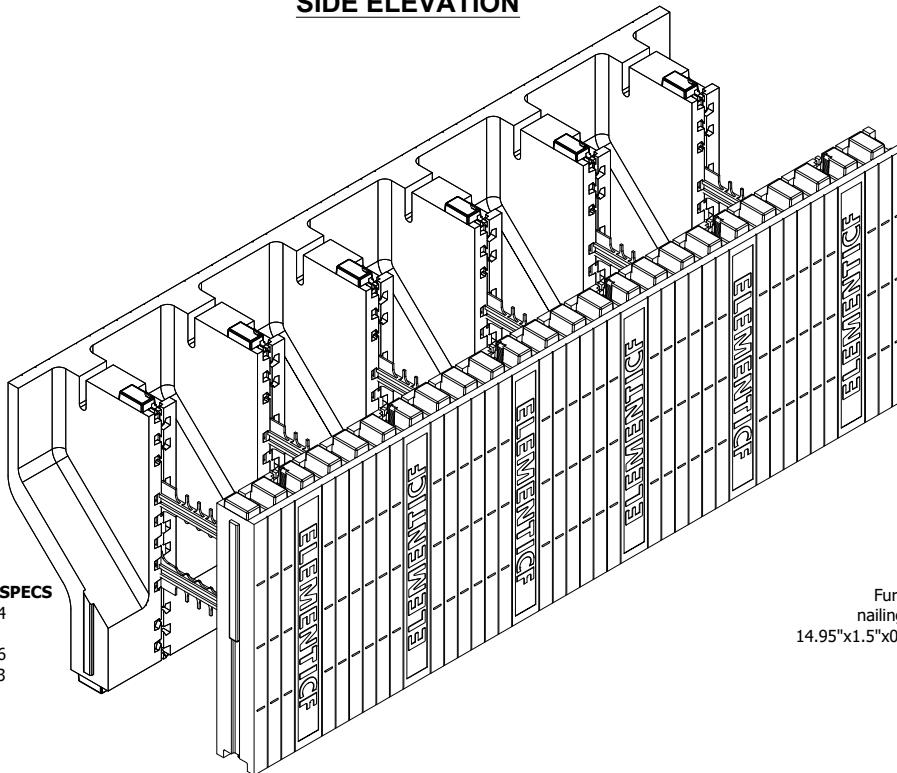
Vertical cutting guides at 1" o.c.



**SIDE ELEVATION**



**END VIEW**

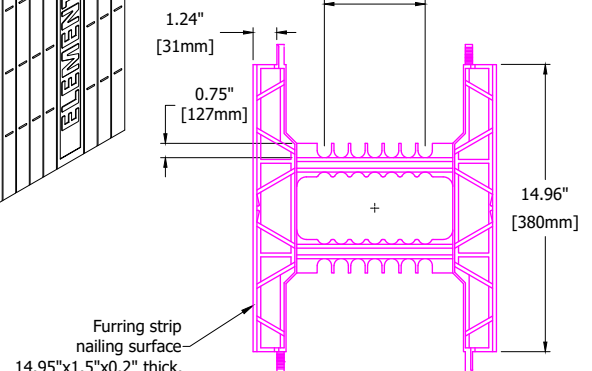


**BRICK LEDGE BLOCK SPECS**

Conc. Vol. (y3)	0.164
Conc. Vol. (ft3)	4.44
Conc. Vol. (m3)	0.126
Wall Area (sf)	5.333
R-value*	21.8
RSI*	3.83

\*EPS form panels only

0.75" [19mm] diam. slots @ 0.875" [22mm] o.c.  
= 5.25" [133mm]



**WEB TIE COMPONENTS**

