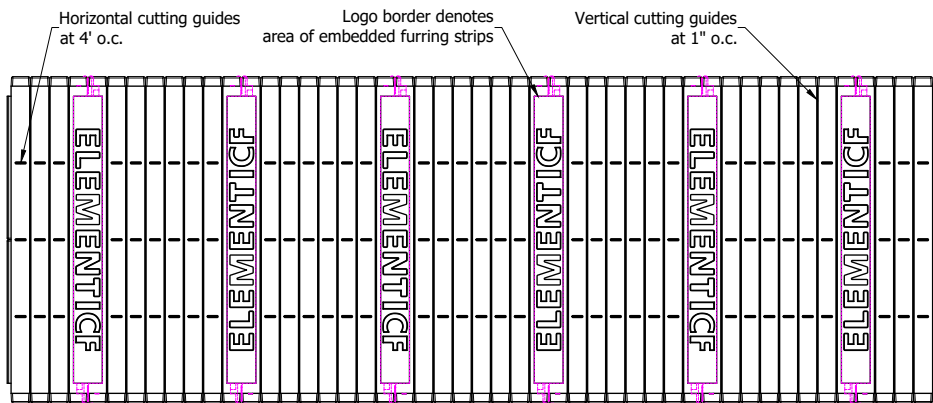
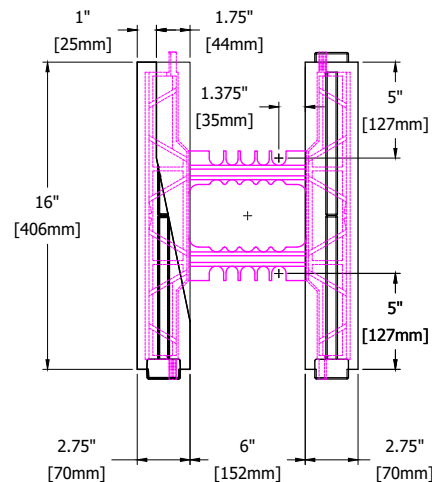


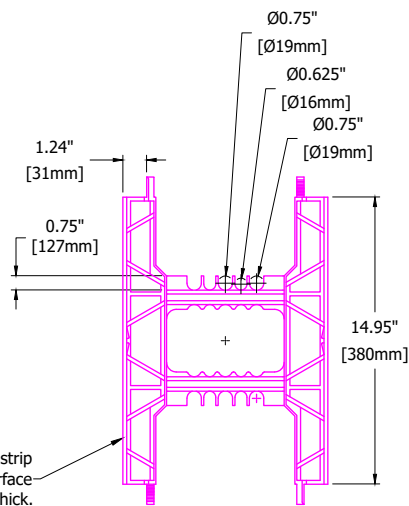
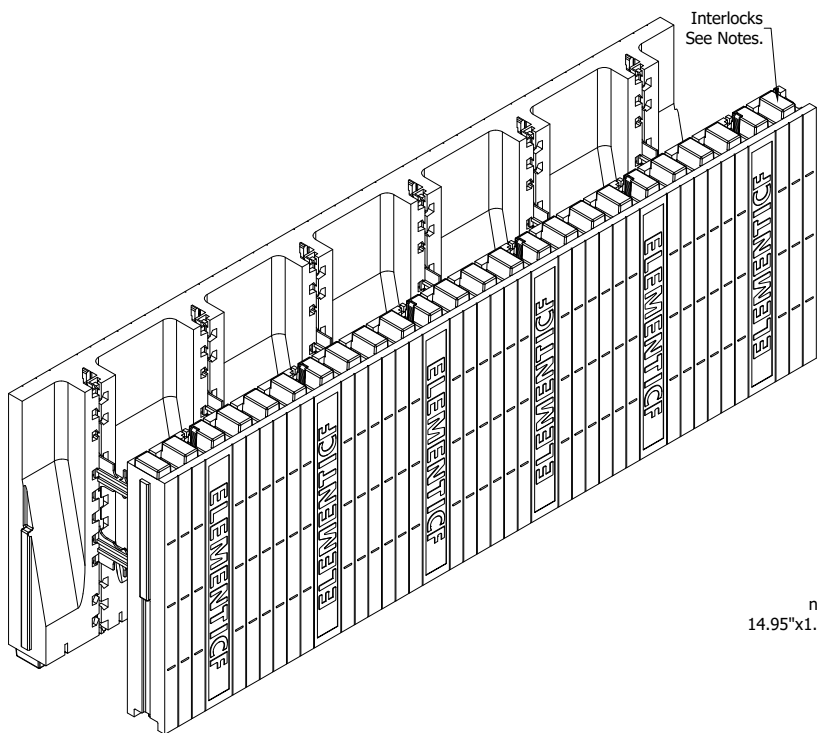
**PLAN VIEW**



**SIDE ELEVATION**



**END VIEW**



**WEB TIE COMPONENTS**

**TAPER TOP BLOCK SPECS**

Conc. Vol. (y3)	0.111
Conc. Vol. (ft3)	2.99
Conc. Vol. (m3)	0.085
Wall Area (sf)	5.333
R-value*	19.3
RSI*	3.39

\*EPS form panels only

- NOTES:**
1. Element Taper Top with or without interlocks along the top of the block. Confirm with your local Element ICF representative.



©Copyright Logix Brands Ltd. (2024) All rights reserved. No part of this copyright may be reproduced or used in any form, or any means - graphic, electronic or mechanical, including without limitation photocopying.

By using these drawings, you agree to assume all risks associated therewith. See [Logixbrands.com/Disclaimer-Drawings](http://Logixbrands.com/Disclaimer-Drawings)

Drawing:  
**5.1.2.5**

Title:  
**PREFORMED TAPER TOP BLOCK (6 INCH)**

Date:  
**Dec 13/22**

Pg:  
**1/1**