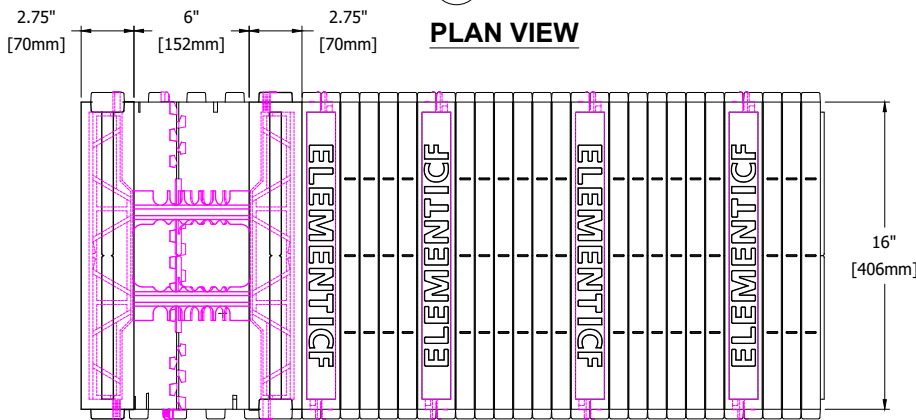
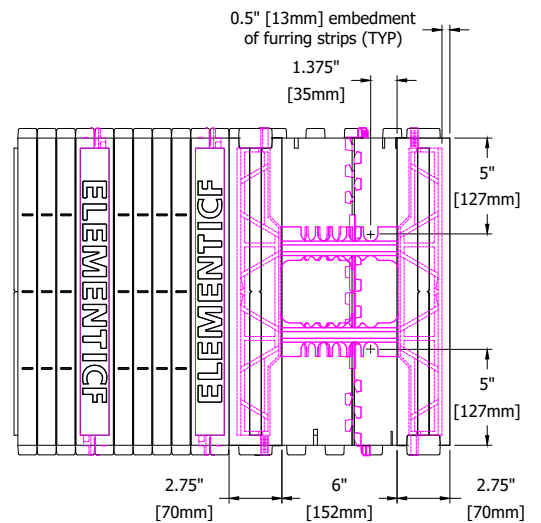


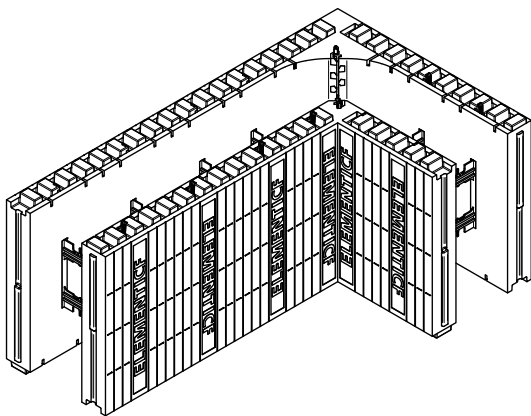
PLAN VIEW



B SIDE ELEVATION



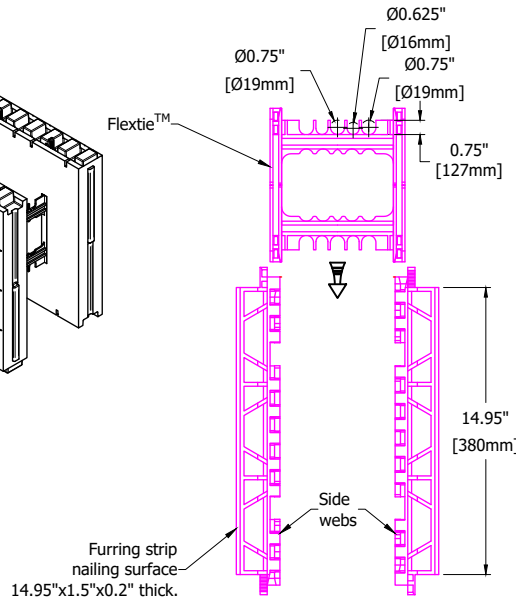
A END VIEW



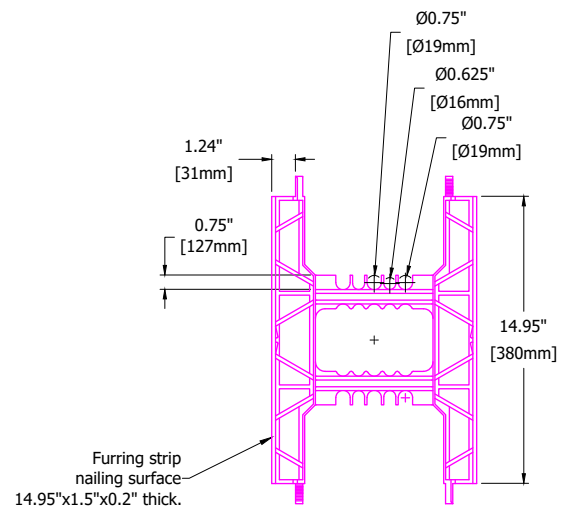
90 DEGREE CORNER SPECS

Conc. Vol. (y3)	0.10
Conc. Vol. (ft3)	2.63
Conc. Vol. (m3)	0.08
Wall Area o/s corner (sf)	6.778
Wall Area i/s corner (sf)	4.222
R-value*	22.7
RSI*	4.00

*EPS form panels only



WEB TIE COMPONENTS AT CORNER



WEB TIE COMPONENTS



©Copyright Logix Brands Ltd. (Year of Publishing) All rights reserved. No part of the work contained herein as covered by this copyright may be reproduced or used in any form, or any means - graphic, electronic or mechanical, including without limitation photocopying.

By using these drawings, you agree to assume all risks associated therewith. See Logixbrands.com/Disclaimer-Drawings for a full copy of disclaimer.

Drawing:
5.1.2.9 R1

Date:
Jan 16/26

Pg:
1/1

Title:
PREFORMED 90 DEGREE CORNER BLOCK (6 INCH)