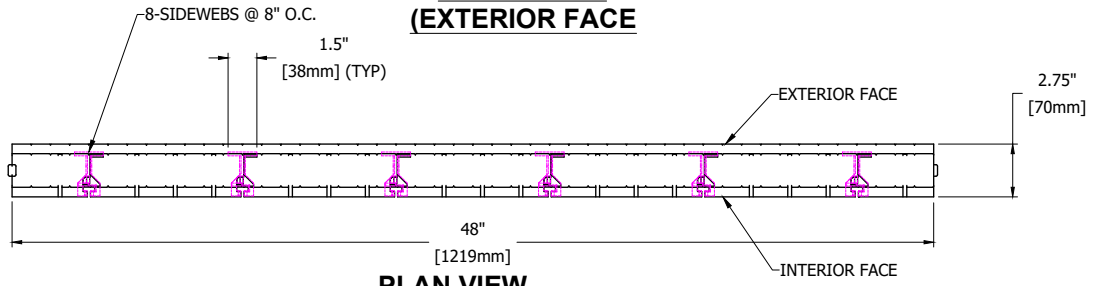
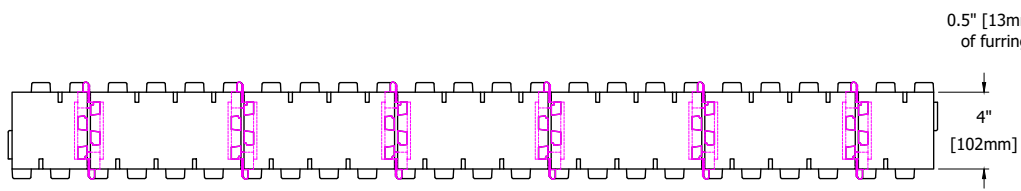


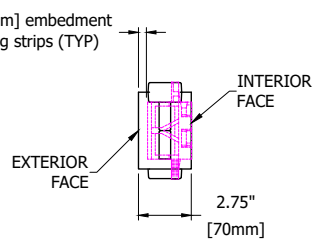
**FRONT VIEW
(EXTERIOR FACE)**



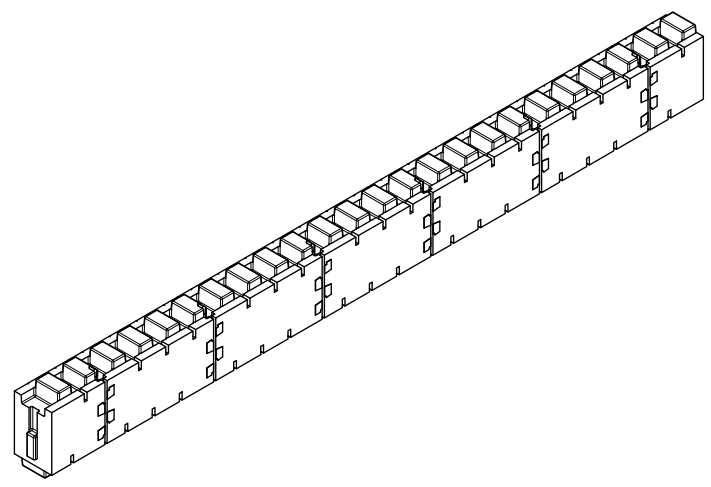
PLAN VIEW



**BACK VIEW
(INTERIOR FACE)**



SIDE VIEW



ElementICF.com A Product By Logix Brands Ltd. 1-866-944-0153

©Copyright Logix Brands Ltd. (2024) All rights reserved. No part of the work contained herein as covered by this copyright may be reproduced or used in any form, or any means - graphic, electronic or mechanical, including without limitation photocopying. By using these drawings, you agree to assume all risks associated therewith. See Logixbrands.com/Disclaimer-Drawings for a full copy of disclaimer.

Drawing:
5.1.3.1

Title: **HEIGHT ADJUSTER**

Date:
Nov 17/23

Pg:
1/1