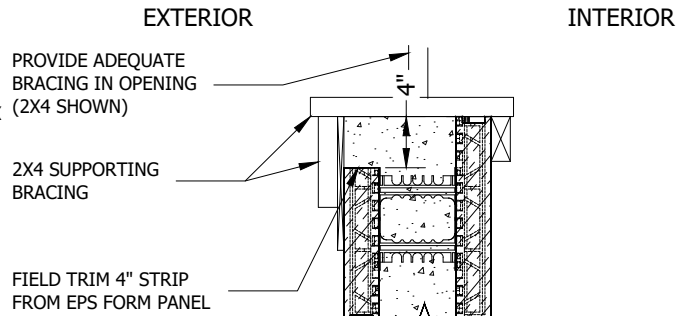
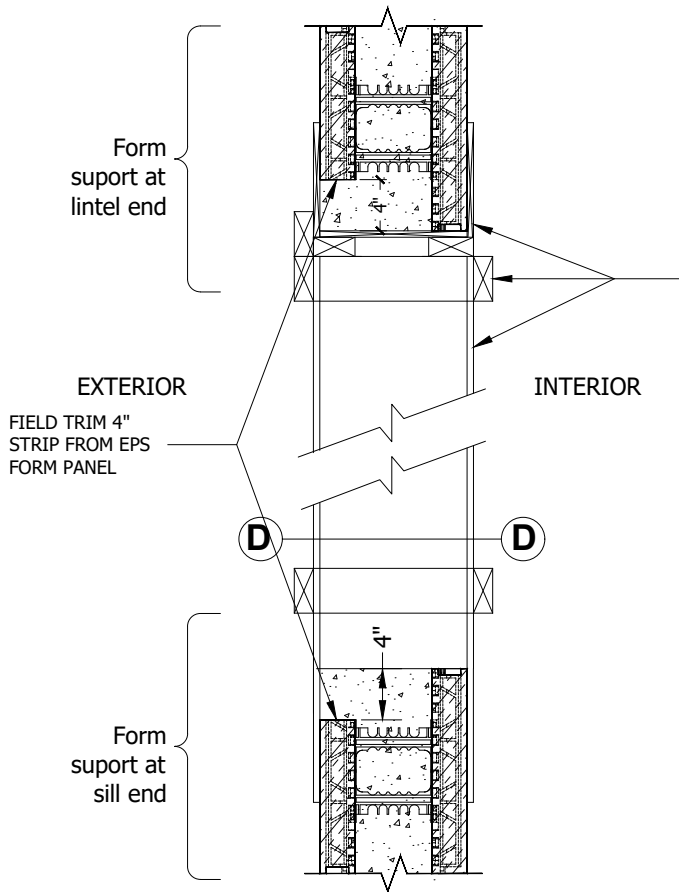


A - A
FORM SUPPORT
ALONG LINTEL

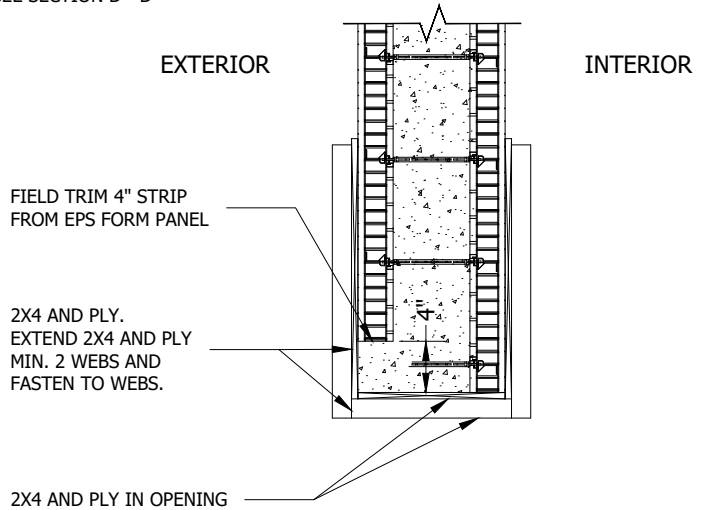


B - B
FORM SUPPORT
ALONG SILL



C - C
FORM SUPPORT
AT LINTEL AND
SILL END

PLY AND 2X4 FOR FORM SUPPORT AT SIDES OF OPENING.
SEE SECTION D - D



D - D
FORM SUPPORT
AT SIDES OF
OPENING

NOTE:

1. For 4" exposed concrete trim around opening on the interior face apply same form support and detail as shown for exterior face detail.
2. Unless otherwise shown, temporary form work material includes 2x4 and plysheets.