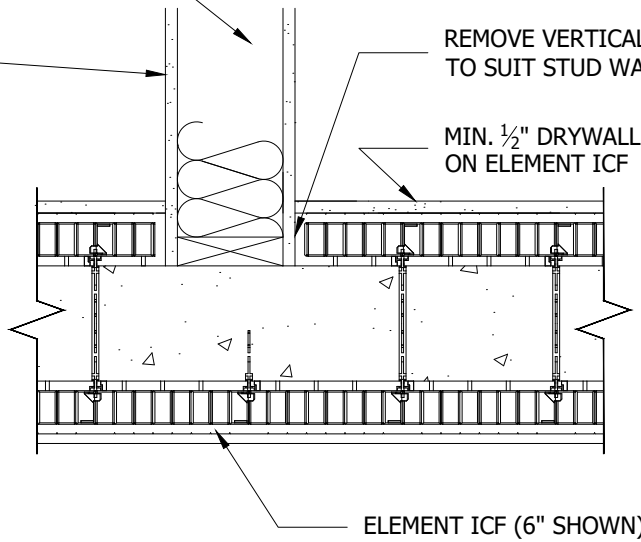


STUD FRAME PARTITION

DRYWALL

REMOVE VERTICAL PORTION OF EPS FORM PANEL TO SUIT STUD WALL AGAINST FACE OF CONCRETE WALL.

MIN. 1/2" DRYWALL ON ELEMENT ICF



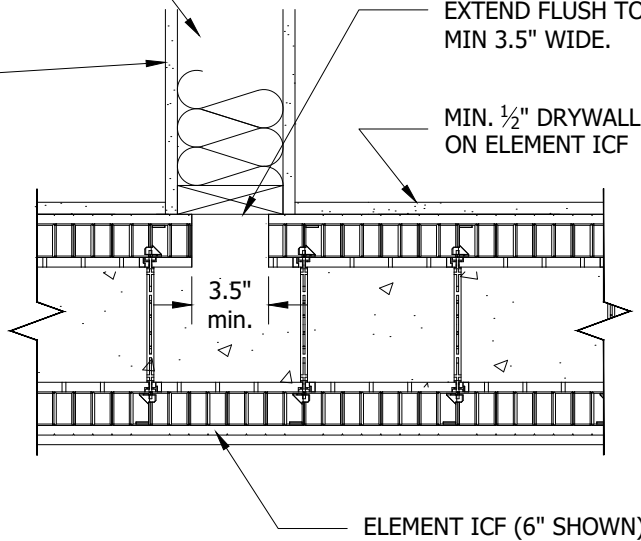
STUD WALL INSET OF ELEMENT

STUD FRAME PARTITION

DRYWALL

VERTICAL STRIP OF CONCRETE. EXTEND FLUSH TO FACE OF ICF. MIN 3.5" WIDE.

MIN. 1/2" DRYWALL ON ELEMENT ICF



STUD WALL FLUSH TO ICF



©Copyright Logix Brands Ltd. (2024) All rights reserved. No part of the work contained herein as covered by this copyright may be reproduced or used in any form, or any means - graphic, electronic or mechanical, including without limitation photocopying.

By using these drawings, you agree to assume all risks associated therewith. See Logixbrands.com/Disclaimer-Drawings for a full copy of disclaimer.

Drawing:
5.13.1.3 R1

Date:
MAR 25/26

Pg:
1/1

Title:
1 HR FIRE RATED WALL DETAIL AT PARTITION/ICF WALL JOINT