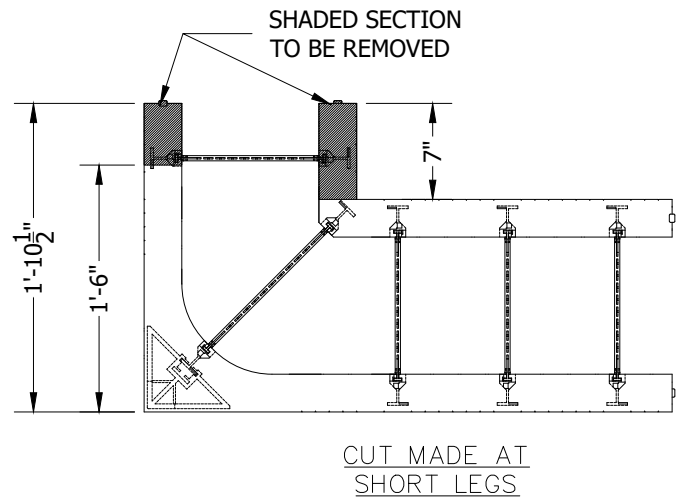
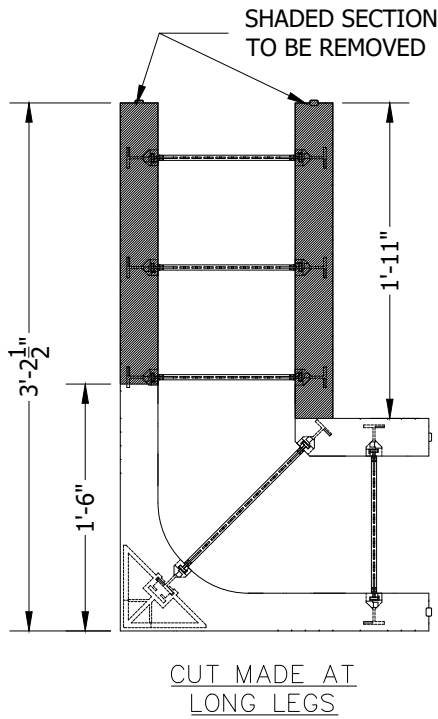
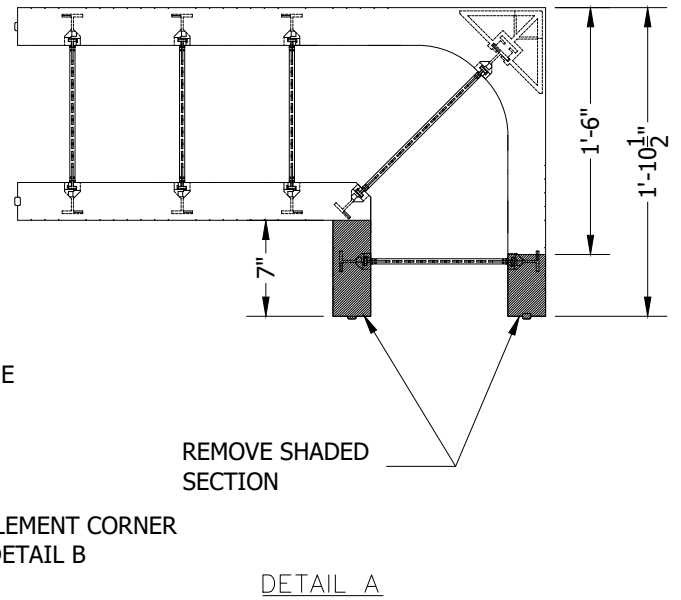
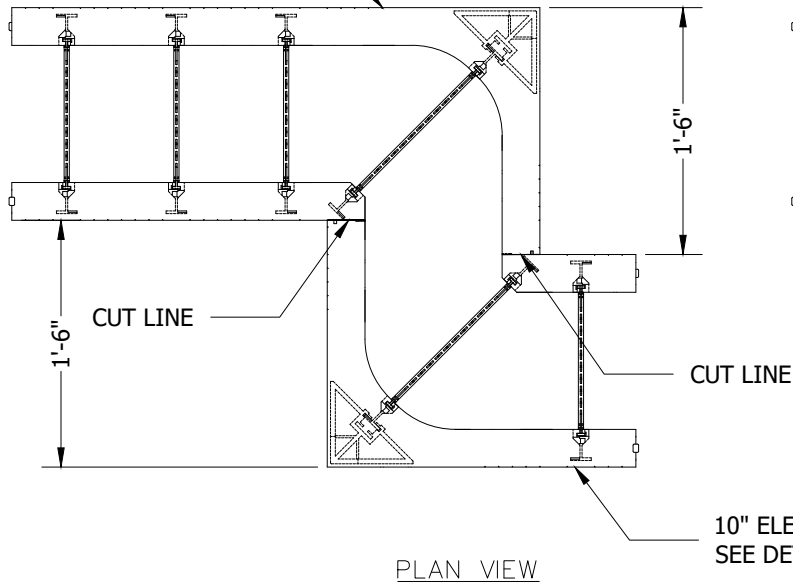


10" ELEMENT CORNER
SEE DETAIL A



NOTES:

1. TO MAINTAIN FORM INTEGRITY APPLY WOODEN STRAPS AT CUT JOINTS FOR ADDITIONAL FORM SUPPORT.
2. CREATING A 12" JOG MIGHT CREATE MISALIGNED INTERLOCKS - CUT INTERLOCKS WHERE MISALIGNMENT OCCURS.
3. INTERLOCK NOT SHOWN FOR CLARITY.



©Copyright Logix Brands Ltd. (2024) All rights reserved. No part of the work contained herein as covered by this copyright may be reproduced or used in any form, or any means - graphic, electronic or mechanical, including without limitation photocopying.

By using these drawings, you agree to assume all risks associated therewith. See Logixbrands.com/Disclaimer-Drawings for a full copy of disclaimer.

Drawing:
5.13.3.2 R1

Date:
DEC 29/25

Pg:
1/1

Title:
18in WALL JOGS WITH 10in ELEMENT CORNERS