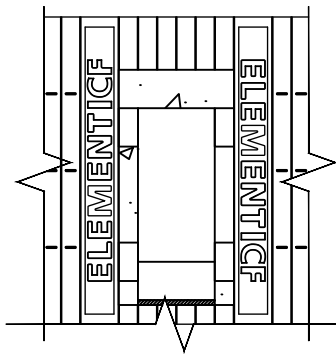
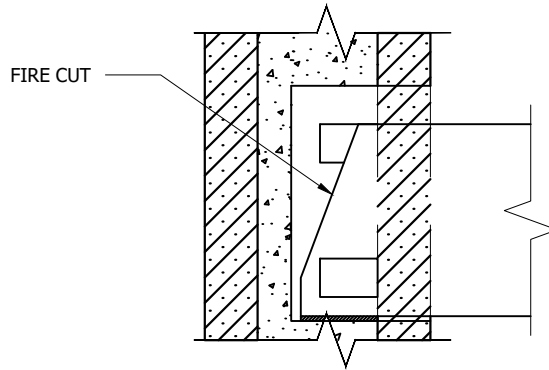


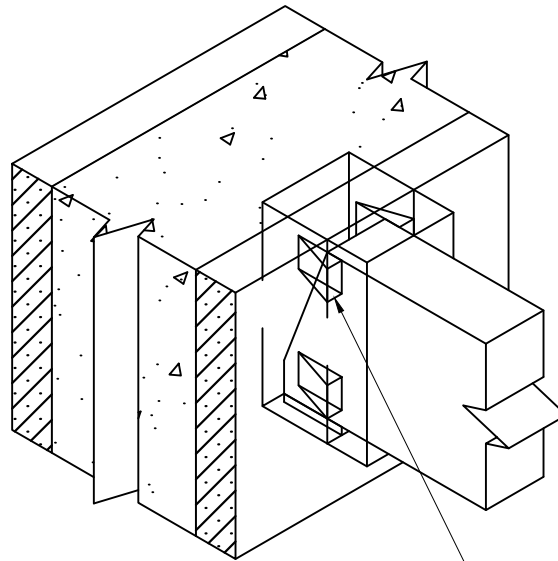
PLAN VIEW – Section at beam  
(Reinforcement not shown for clarity)



FRONT ELEVATION



SIDE VIEW – Section at beam side



RESTRAIN LATERAL ROTATION  
BY WEDGE BLOCKING