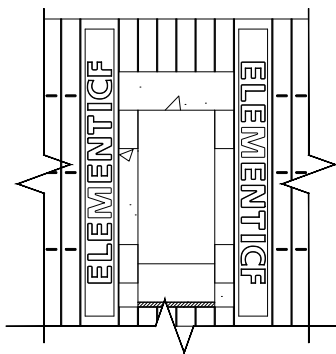
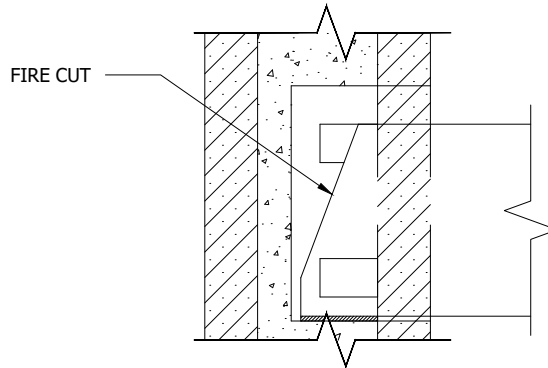


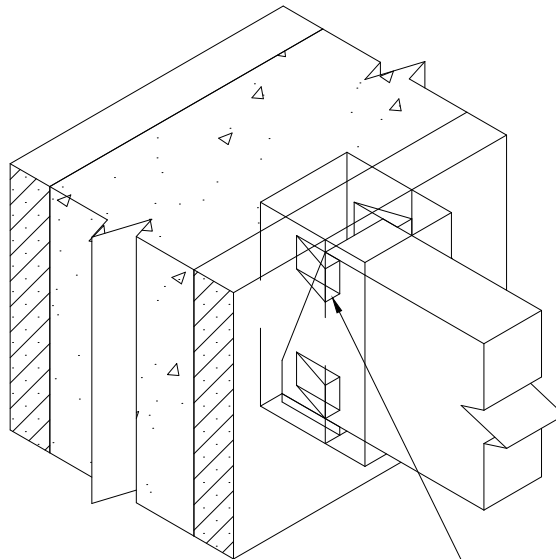
PLAN VIEW - Section at beam
(Reinforcement not shown for clarity)



FRONT ELEVATION



SIDE VIEW - Section at beam side



**RESTRAIN LATERAL ROTATION
BY WEDGE BLOCKING**



©Copyright Logix Brands Ltd. (2024) All rights reserved. No part of the work contained herein as covered by this copyright may be reproduced or used in any form, or any means - graphic, electronic or mechanical, including without limitation photocopying.

By using these drawings, you agree to assume all risks associated therewith. See Logixbrands.com/Disclaimer-Drawings for a full copy of disclaimer.

Drawing:
5.15.5.1

Date:
Mar 03/23

Pg:
1/1

Title:
WOOD BEAM CONNECTION W/ FIRE CUT DETAIL