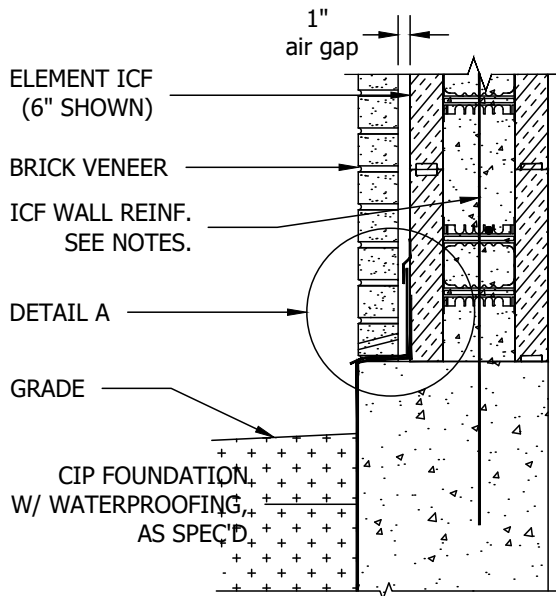
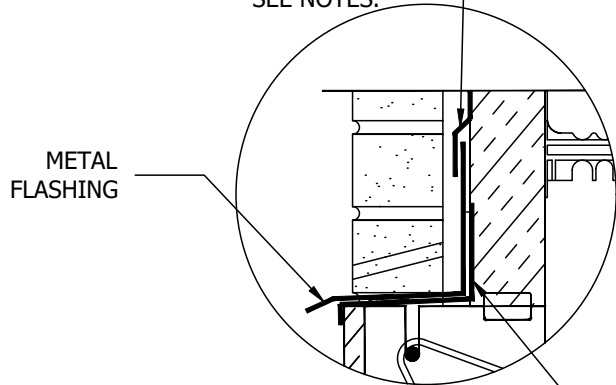


**FLASHING DETAILS w/
LOGIX BRICK LEDGE**



**FLASHING DETAILS w/
CONCRETE BRICK LEDGE**

RESISTO RED ZONE
MEMBRANE STRIP
APPLIED OVER TERMINATION
OF METAL FLASHING.
SEE NOTES.



RESISTO RED ZONE
MEMBRANE UNDER
METAL FLASHING.
SEE NOTES.

**DETAIL A:
TYPICAL WATERPROOFING
DETAIL**

NOTES:

1. Refer to the Element Prescriptive Engineering for reinforcement design of Element ICF walls.
2. Refer to the Element Brick Ledge Stirrup detail drawings for stirrup dimensions.
3. Red Zone membrane must be adhered with Resisto H20 Primer.



©Copyright Logix Brands Ltd. (2024) All rights reserved. No part of the work contained herein as covered by this copyright may be reproduced or used in any form, or any means - graphic, electronic or mechanical, including without limitation photocopying.

By using these drawings, you agree to assume all risks associated therewith. See Logixbrands.com/Disclaimer-Drawings for a full copy of disclaimer.

Drawing:
5.5.4.2

Date:
Mar 03/23

Pg:
1/1

Title:

BRICK LEDGE FLASHING DETAILS