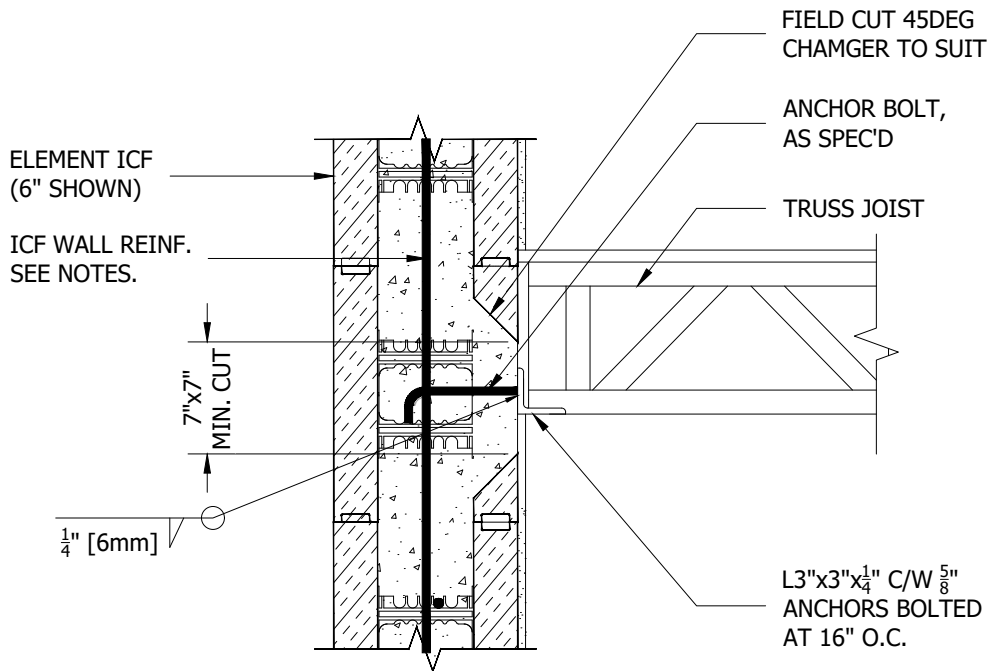


**BOLTED ANGLE SEAT DETAIL**



**WELDED ANGLE SEAT DETAIL**

**NOTES:**

1. Refer to the Element Prescriptive Engineering for reinforcement design of Element ICF walls.



©Copyright Logix Brands Ltd. (2024) All rights reserved. No part of the work contained herein as covered by this copyright may be reproduced or used in any form, or any means - graphic, electronic or mechanical, including without limitation photocopying.

By using these drawings, you agree to assume all risks associated therewith. See [Logixbrands.com/Disclaimer-Drawings](https://Logixbrands.com/Disclaimer-Drawings) for a full copy of disclaimer.

Drawing:  
5.6.2.27

Date:  
Mar 03/23

Pg:  
1/1

Title:

ANGLE IRON LEDGER