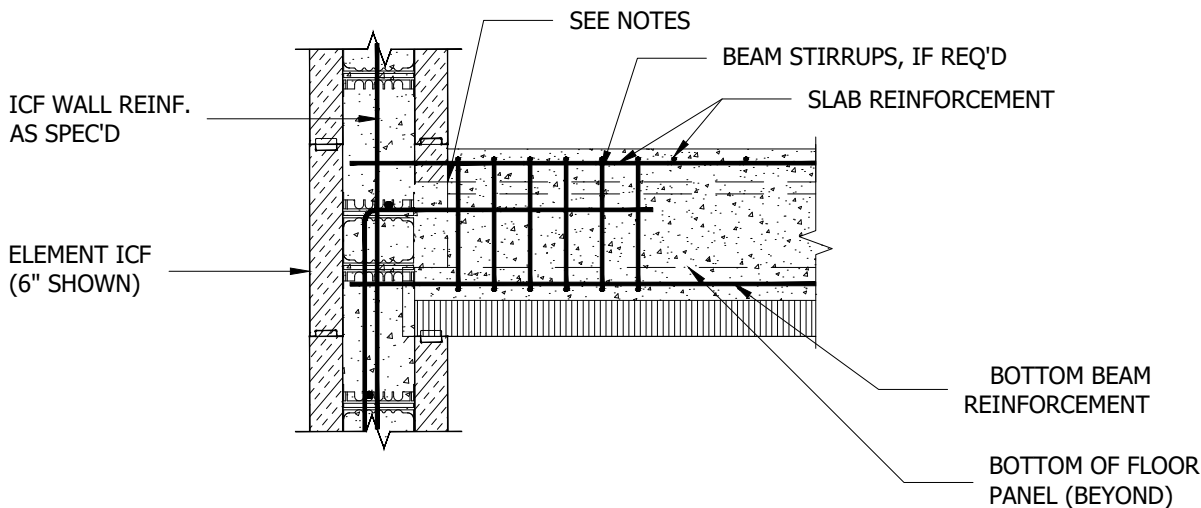
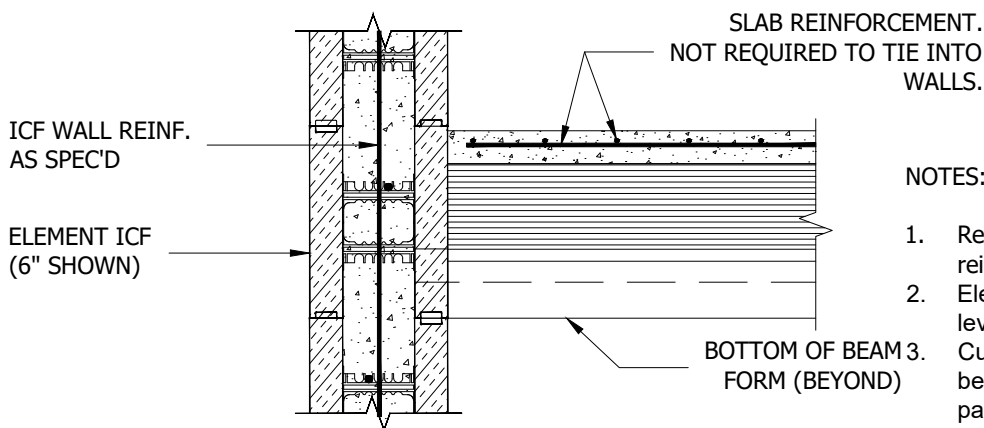


SECTION THROUGH BEAM & FLOOR PANELS (NON-BEARING END)



SECTION THROUGH BEAM (BEARING END)



SECTION THROUGH FLOOR PANEL (BEARING END)

NOTES:

1. Refer to the Element Prescriptive Engineering for reinforcement design of Element ICF walls.
2. Element ICF wall panels can be left in place at slab level, or removed to make slab integral with wall.
3. Cut into Element ICF wall panels to accommodate beam depth and beam form. Element ICF wall panels can remain in place at slab level.
4. Keep webs intact whenever possible.
5. Visit beaverplastics.com/Construction/fortruss.html for more information on Fortruss.



©Copyright Logix Brands Ltd. (2024) All rights reserved. No part of the work contained herein as covered by this copyright may be reproduced or used in any form, or any means - graphic, electronic or mechanical, including without limitation photocopying.

By using these drawings, you agree to assume all risks associated therewith. See Logixbrands.com/Disclaimer-Drawings for a full copy of disclaimer.

Drawing:
5.6.4.1

Date:
Mar 03/23

Pg:
1/1

Title:
FORTRUSS FLOOR AND ROOF SYSTEM